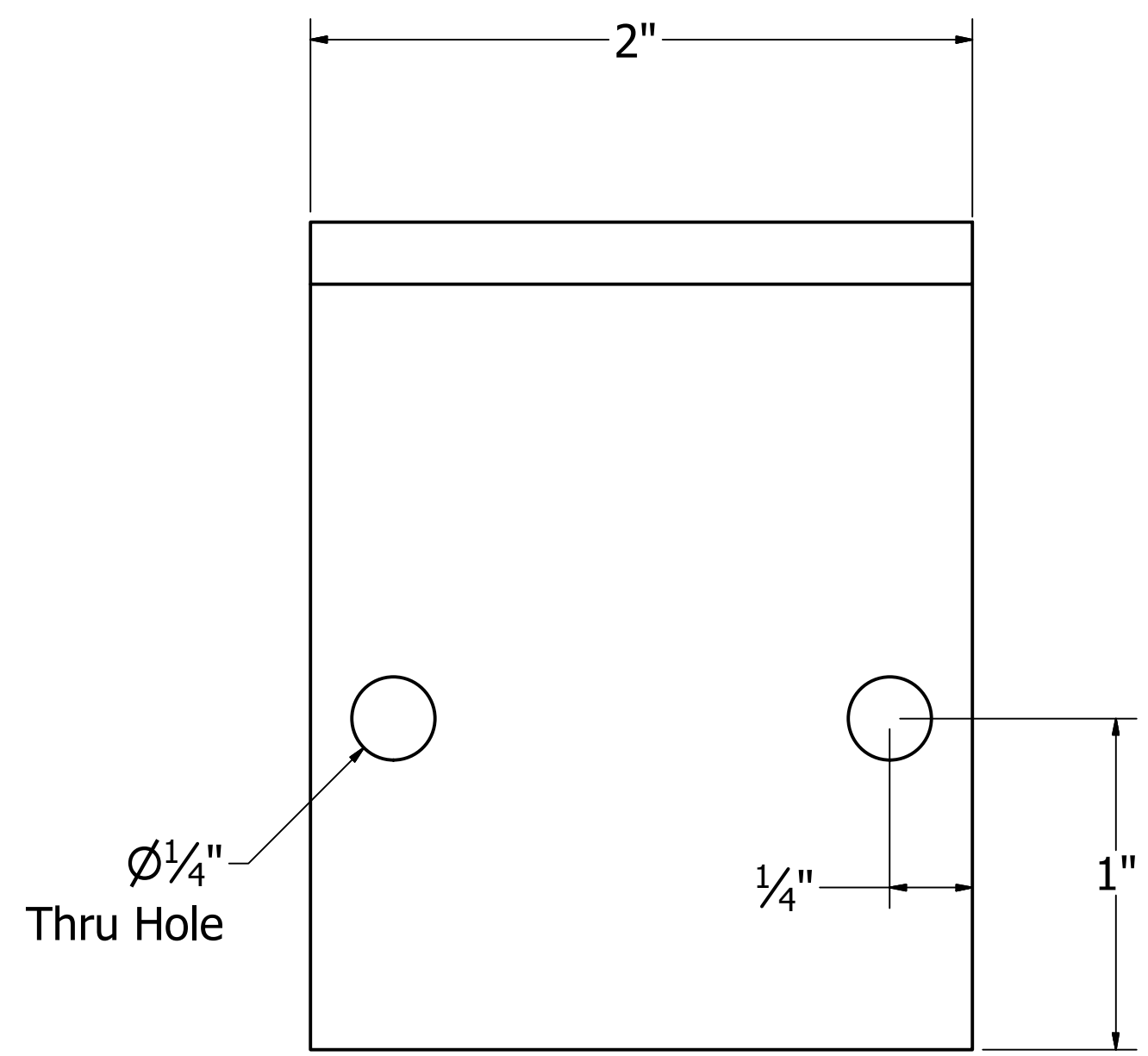
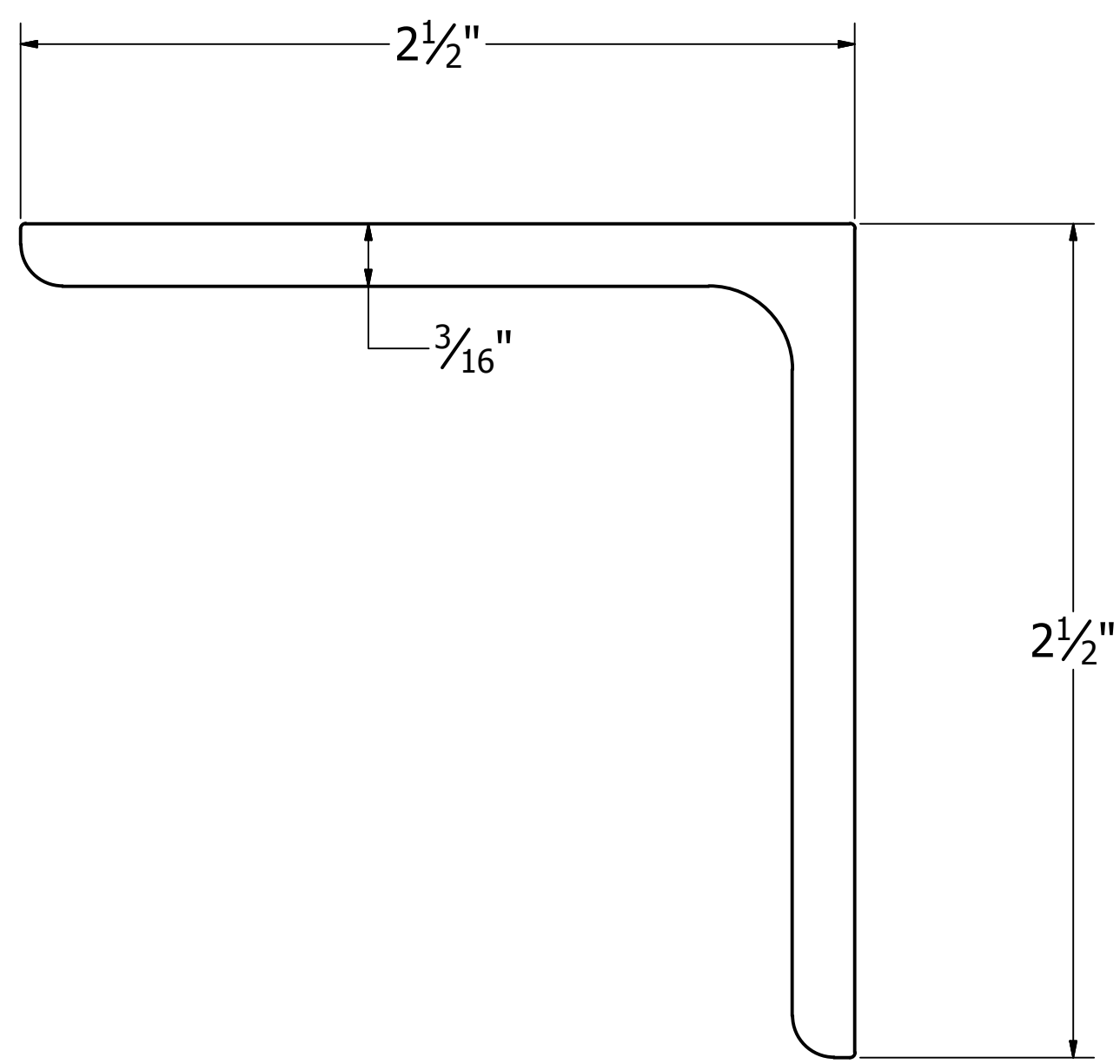
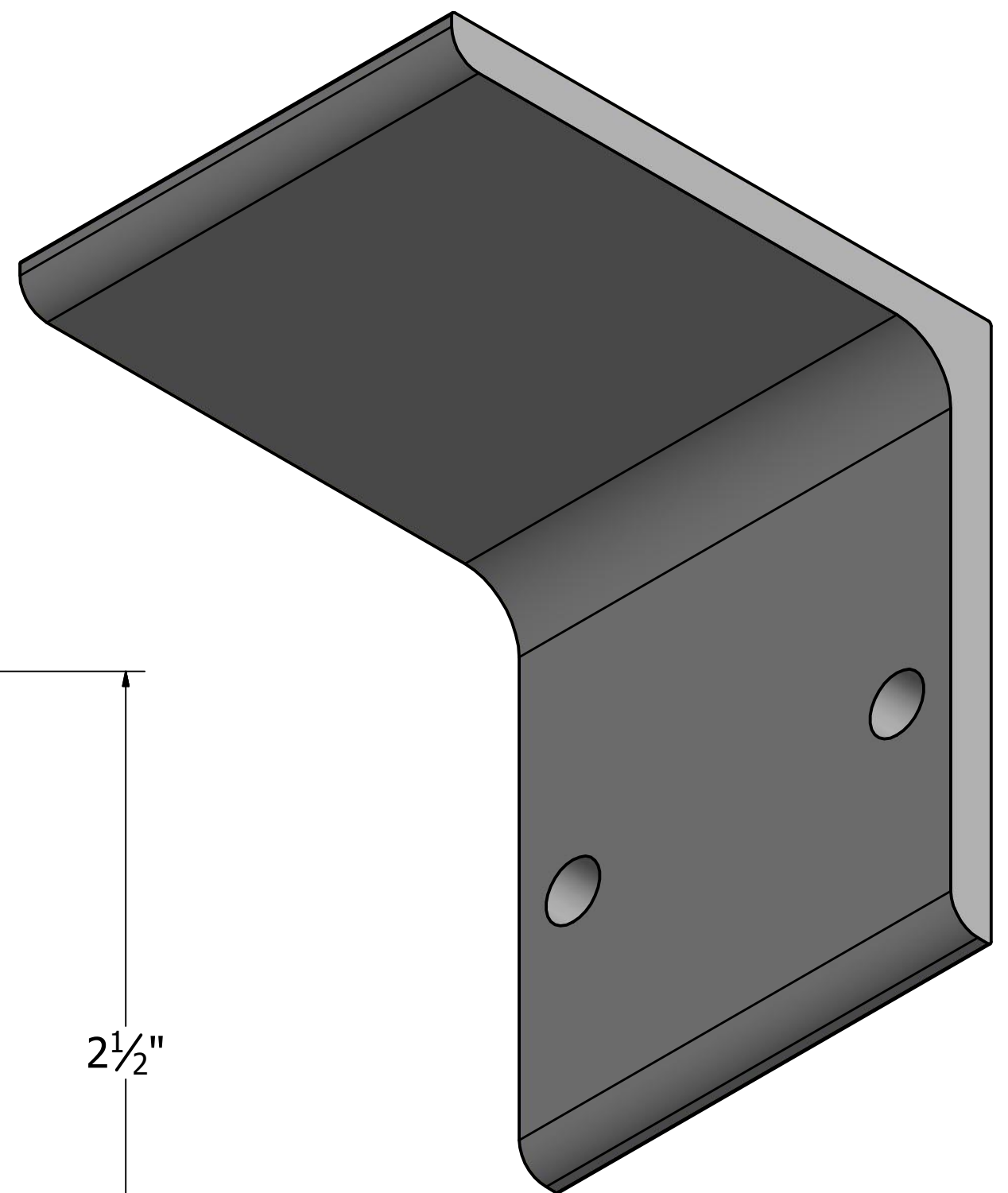



REV.	DESCRIPTION	DATE



 DSI Digger Specialties Inc. 3446 US 6 EAST BREMEN, IN 46506 www.diggerspecialties.com	WEIGHT: .179 lbs/ea	DRAWN BY: WJM	MATERIAL: Aluminum 6061-T6
	STANDARD TOLERANCE: .00 \ .01 .000 \ .005 ANG. \ .5~	DATE DRAWN: 1/4/2017	PART NAME: 56125 Bracket Alum Side Mount 2.5 x 2 (.188).idw
	FRACTIONS: ± 1/16"	DRAFT NO. 20170104-1W	PART NUMBER: 56125
	FILE LOC: Z:\Aluminum\Components\Alum Railing Section Mounts\56125 Bracket Alum Side Mount 2.5 x 2 (.188).idw		REV.

