

MRP

SUPPORTS

Ordinary to Extraordinary
Self-Leveling Technology

A *Simple*
way to build a solid
wood raised deck over sloping
or uneven exterior surfaces.



IPE Wood Deck Tiles



WHY IPE?

IPE structural wood deck tiles offer a simple way to build a solid wood raised deck over sloping or uneven exterior surfaces including rooftops, courtyards, terraces, pool decks, etc. for both residential and commercial applications. These tiles are specifically designed for use with fixed height or adjustable height pedestals, eliminating the need for support bearers or other expensive supporting structures.

These 24" x 24" (nom.) prefabricated panels are constructed of 3/4" IPE wood slats screwed to three solid wood support battens with stainless steel screws. This results in a tile with exceptional strength, durability and resistance to flexing.

We offer the option of tiles with IPE wood sourced either from Bolivia under government forestry management practices or from Peru produced under FSC Chain of Custody (certification details can be supplied on request).

Although IPE wood is widely recognized as having Class A fire rating, in certain regions (such as NYC) the use of IPE wood for elevated decks on rooftops is either no longer permitted or is restricted. In such locations, to comply with any regulations for non-combustible roof decking, we offer an alternative solution of porcelain pavers with simulated wood designs, which are completely fireproof, stain resistant, scratch resistant and fade resistant.

WHY IPE?

Our structural wood tiles are exclusively constructed from IPE wood, not just because IPE is one of the most durable, dense and hard wood species commercially available, but because of its dimensional stability across a broad range of climatic conditions and resistance to twisting and warping. The outstanding properties of IPE include:

- High resistance to termites, decay and mold
- Very hard and dense
- Wear resistant and scuff resistant
- Class A fire rating
- High bending and shearing strength
- High resistance to warping and twisting
- Weathers without splintering
- Lower maintenance than softer and less dense species



INSTALLATION

ON PEDESTALS

Structural wood tiles can be easily installed over sloping or uneven substrates using adjustable height pedestals placed under each corner of the tiles. Structural wood tiles are primarily designed as an alternative to more time consuming and expensive installations with straight run deck planks laid over wood bearers. The pedestal system greatly simplifies installation and resolves problems where no 'permanent' structures are permitted or where there are concerns that building materials may damage waterproof membranes.

The installation procedure for structural wood tiles is basically similar to installation of Concrete and porcelain pavers on pedestal systems, however our wood tiles are supplied with a pre-drilled hole in each corner underneath enabling our PINS to be attached to the IPE wood deck tile. These PINS hold down the corner of the pedestals to "lock down" the tiles onto the pedestal, ensuring a safe, secure and level surface. Because these are lite tiles we also recommend that our LOCKING PIECE is also used. This allows our Self LEVELING Head to be locked as a Fixed Head.

If any tiles need to be cut, it is very important that the structural integrity of the tiles is maintained. This may require relocating one (or two) of the support battens and re-attaching these to the slats from the underside of the tile. It may also be necessary to drill and countersink additional holes when re-inserting screws.

It is also important that an adequate number of pedestals are used around the perimeter of the paved area, and that the tiles are restrained around the perimeter by a low wall or some other restraining structure to prevent the tiles from moving.

ON-GRADE

If installing solid wood tiles over a firm substrate such as concrete, they should not be laid directly on the substrate for the following reasons:

- If wood is allowed to remain in contact with water for extended periods, some swelling of the bearers may occur and possibly temporary warping or twisting of the wood slats.
- Unless the tiles are all laid parallel to the slope (and not in an alternating checkerboard pattern), the bearers on the underside will prevent water flowing freely underneath the tiles.
- If the substrate is slightly uneven, the tiles could "rock" on the surface, or one or more of the edges may protrude upwards, creating a tripping hazard

For best results, we recommend laying the tiles on our Adjustable Star T Supports w/ Pins or our Fixed – EH12 – ½" or EH20 – ¾" tall. These are also stackable that are placed under each corner of the tiles.

POST INSTALLATION CARE

As supplied, IPE structural wood tiles do not have any factory applied oil coating but are waxed at the ends of the slats only. We strongly recommend that tiles are coated with a good quality decking oil as soon as practical after installation to maintain the attractive wood color as long as possible and reduce the rate at which the wood will weather naturally to a silvery grey color. Also because the wax coating on the slat ends will tend to 'bleed' over time, if the tiles are not coated with a decking oil, it can often give the appearance that the ends of the wood slats have been saturated with water.



TILE SPECIFICATIONS

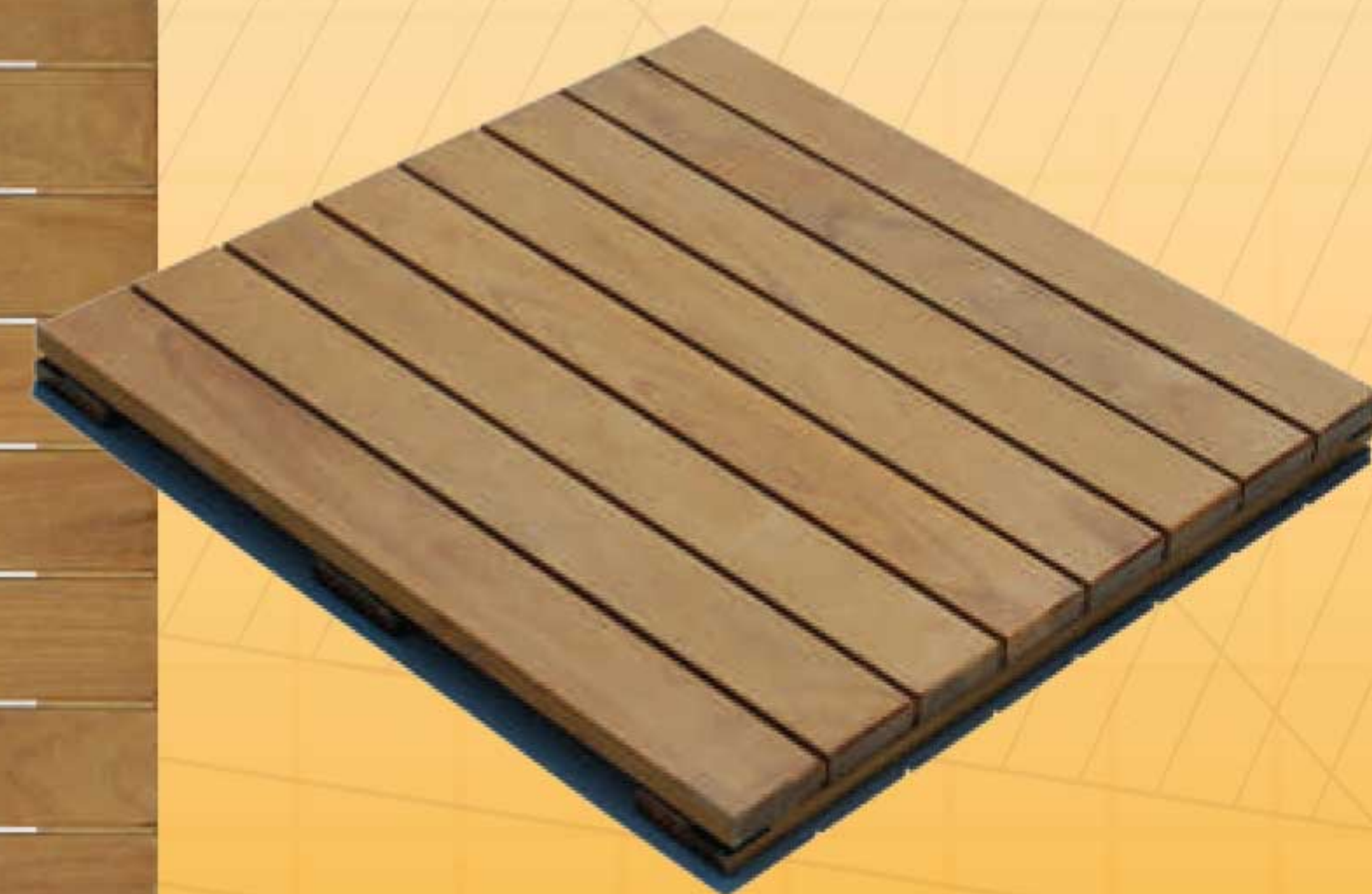
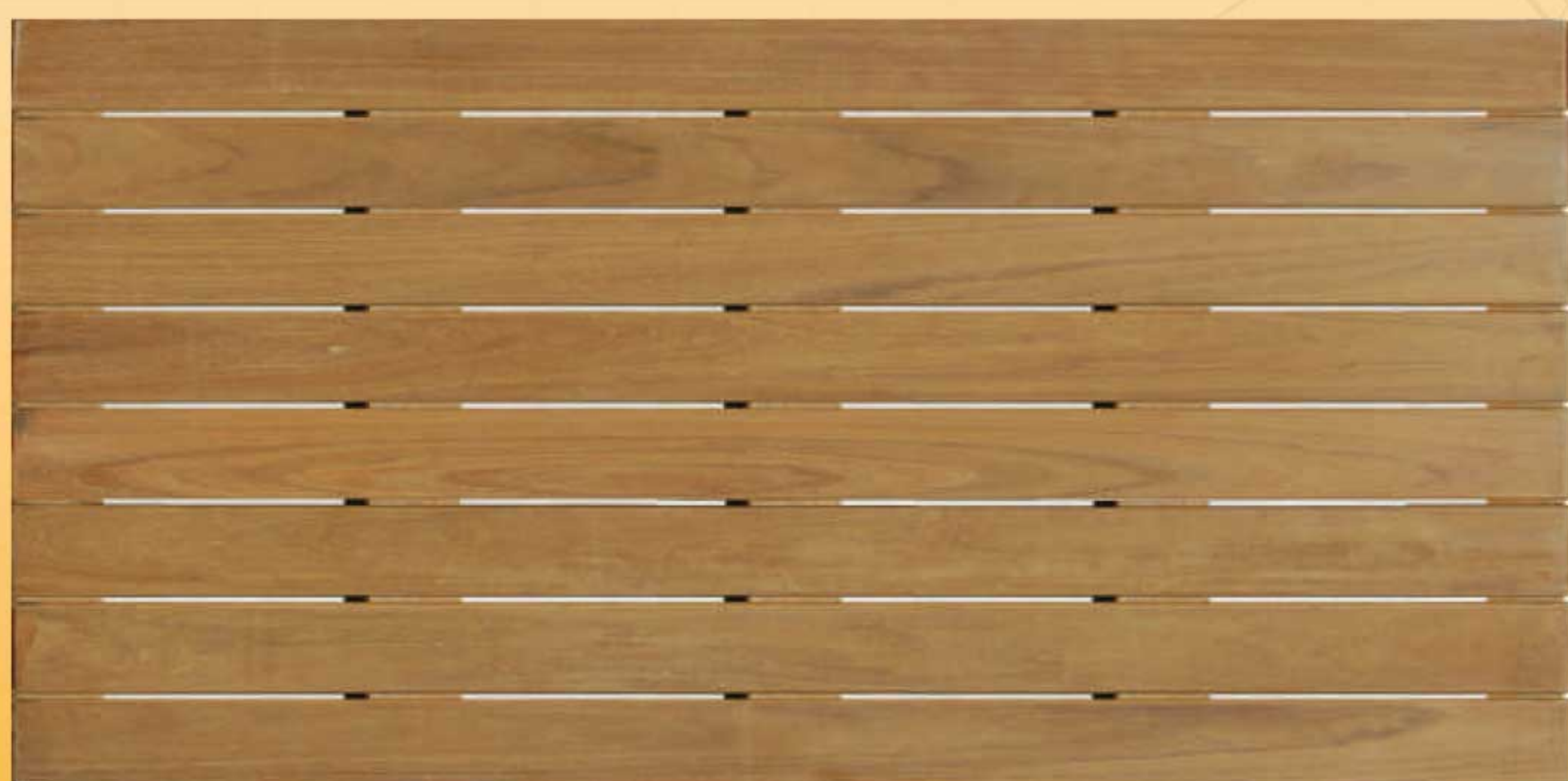
TILE SPECIFICATIONS

Property	Specification
Standard Tile Size	23 7/8" x 23 7/8" (606 x 606mm) – tile dimensions 24" x 24" – covered area using 1/4" spacers
Custom Sizes	48" x 24" size available on request (other sizes can be produced to order)
Tile Height	3/4" (19mm) *variable heights could be supplied
Wood Thickness	3/4" (19mm)
Slats per Tile	8 (std.)
Width of Slats	2-51/64" (71mm)
Slat Spacing	3/16" approx.
Ends & Sides Finish	S4S E4E (radius 1/8")
Tile Weight	23.5lb.
Surface Finish	Ends waxed with paraffin. Slats with machined finish – not coated with oil

IPE WOOD PROPERTIES

Property	Specification
Common Name	IPE
Botanical Name	Tabebuia sp.
Color	Typically reddish brown color, but can vary from olive brown to blackish, often with lighter or darker striping
Grain	Fine to medium texture, grain always interlocked, sometimes very highly oily looking
Density @ 12% Moisture	1050-1180 kg/m ³
Durability	Class 1 (min. 25 years life)
Fire Rating	Class A
Hardness (Janka)	3680 (very hard)
Resistance to Decay & Insect Attack	Resistant to attack by decay, fungi and termites Not resistant to marine borers
Modulus of Rupture	170 MPa
Modulus of Elasticity	21 GPa
Maximum Crushing Strength	94 MPa
Shrinkage	7% tangential, 6% radial 1.2 tangential/radial shrinkage ratio

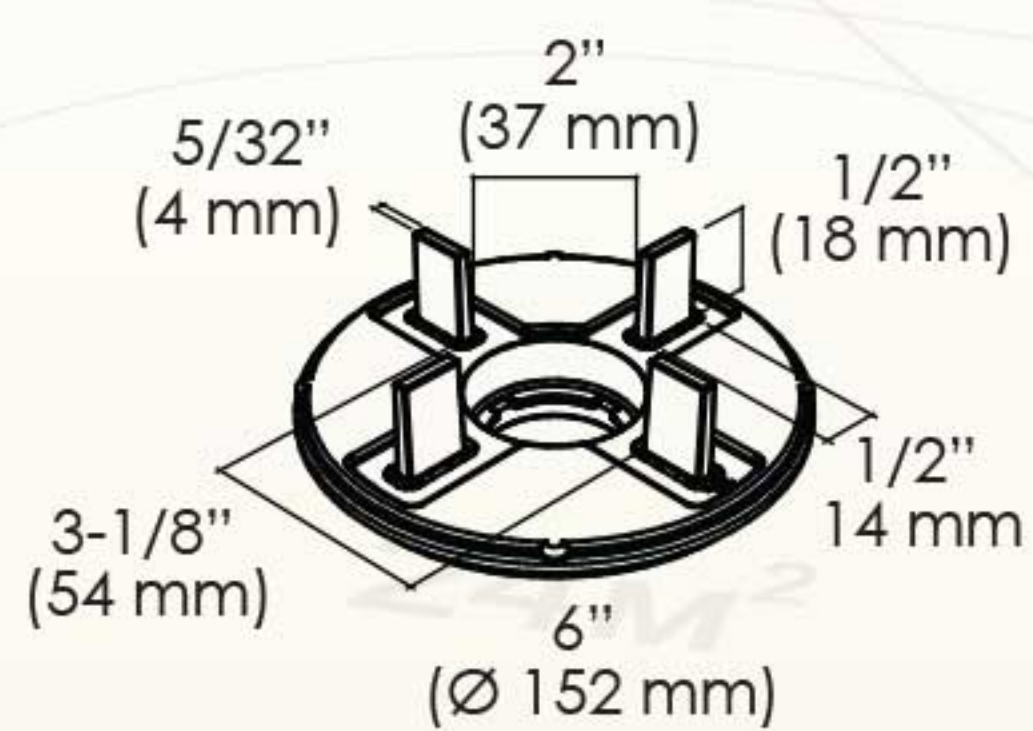
Tile Specifications are subject to change without notice.



ADJUSTABLE & FIXED PEDESTAL SUPPORTS

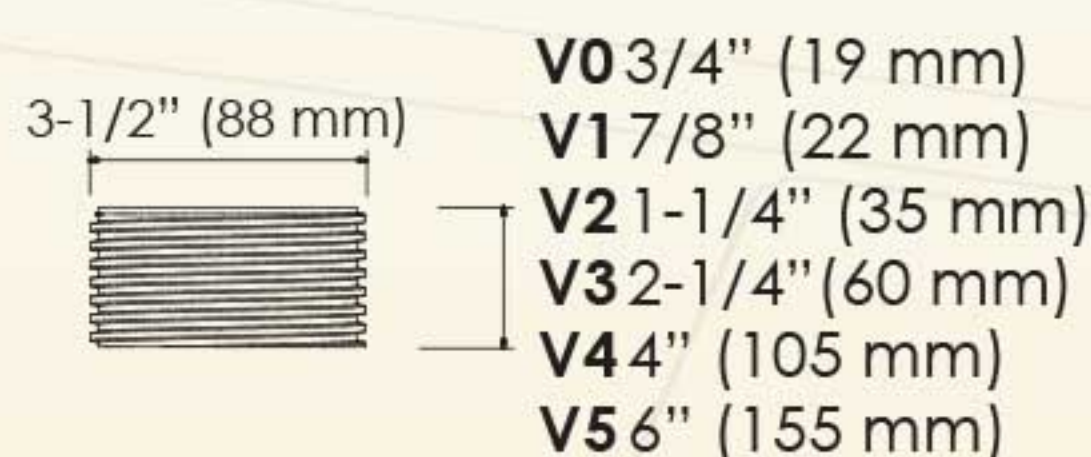


Plus 6" Self-Leveling Head with 5/32" (4 mm) thick tabs.
*Stocked Heads

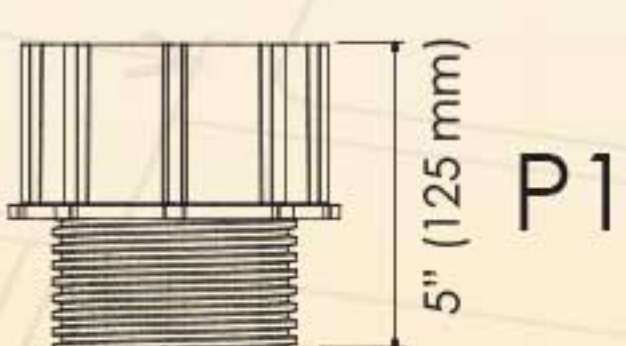


Small 4" Diameter Head Available as a Special Order

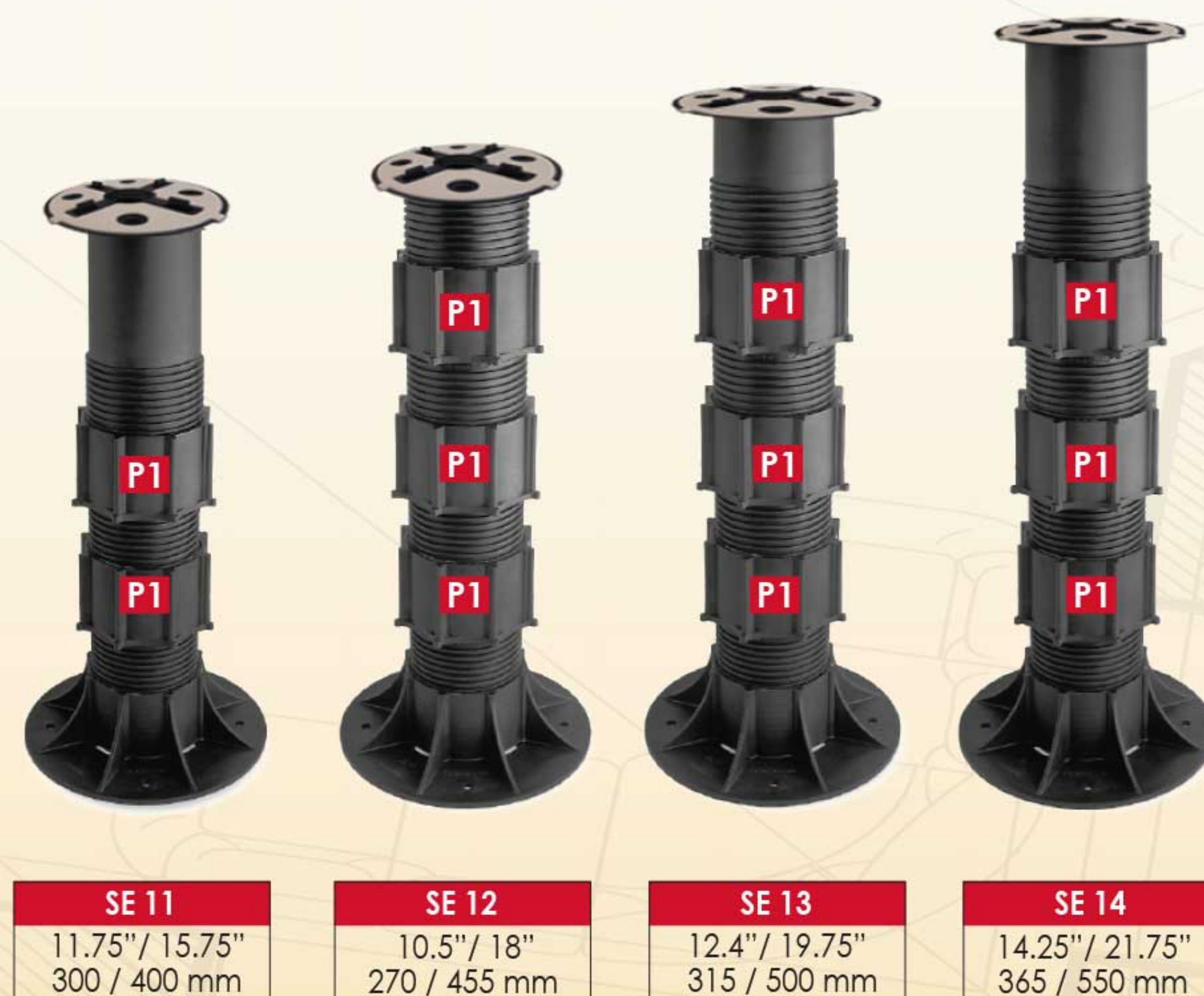
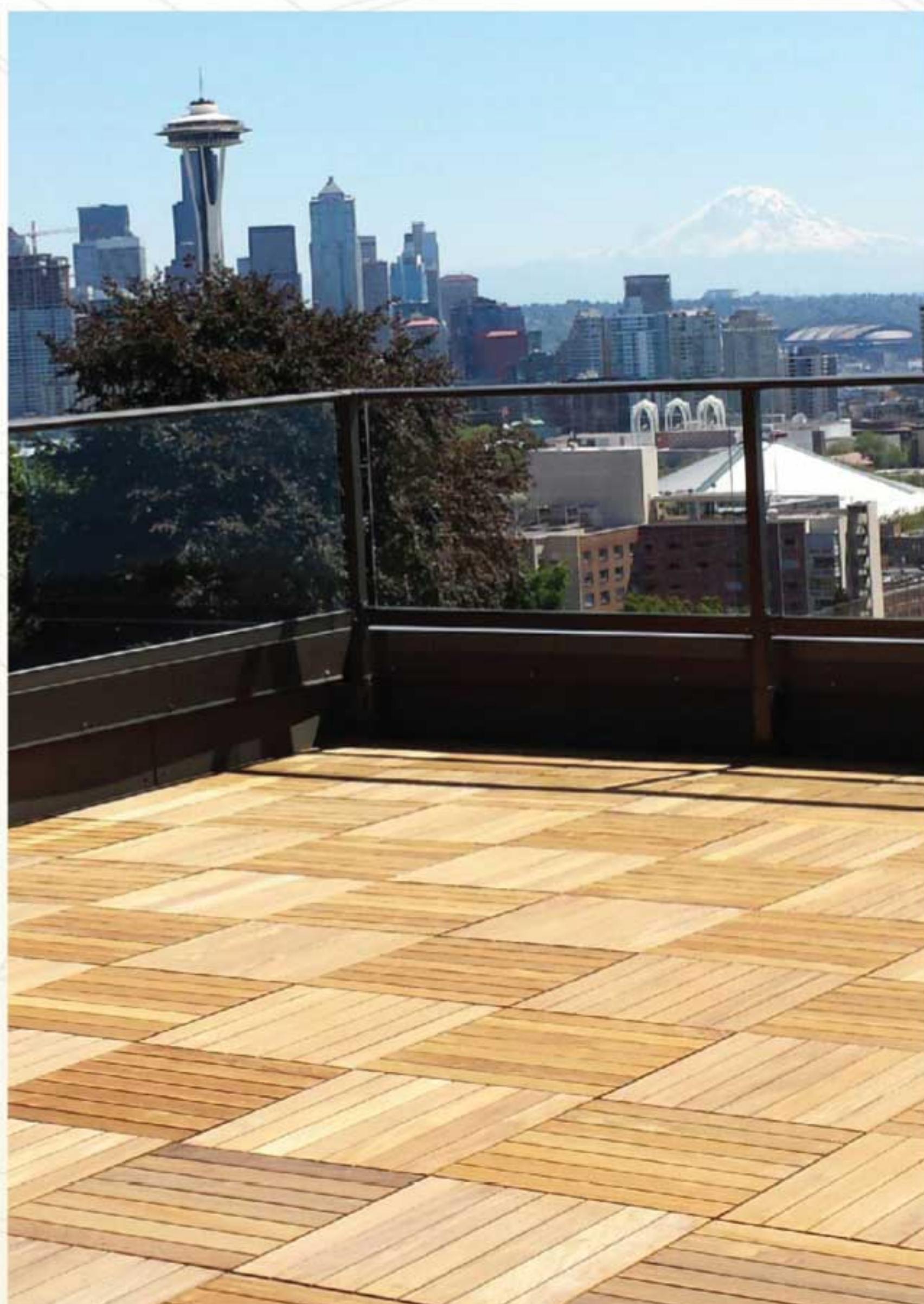
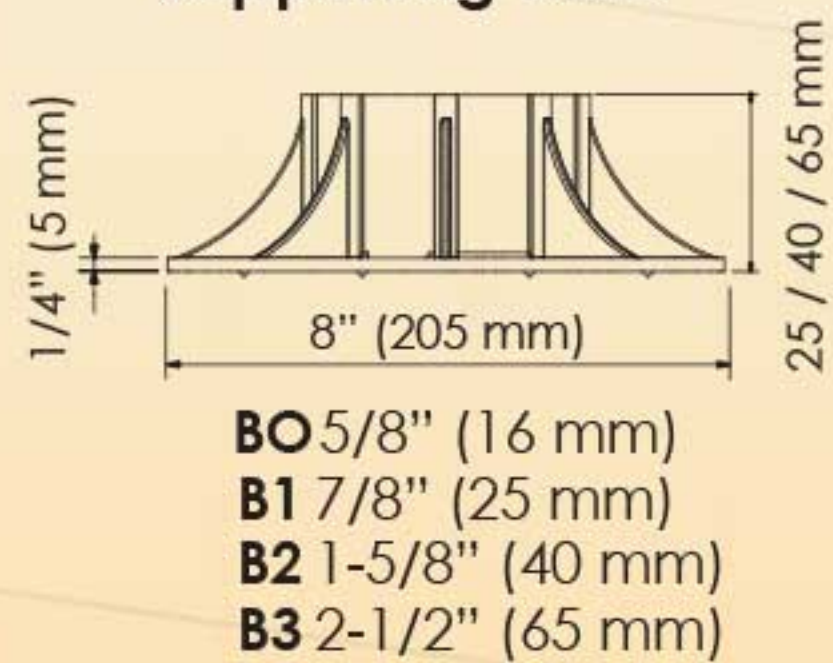
Screw



Extension



Supporting Base



COMPONENTS TABLE - SE 6-SE 14

SE6 = SE3 + 1xP1	SE9 = SE3 + 2xP1	SE12 = SE3 + 3xP1
SE7 = SE4 + 1xP1	SE10 = SE4 + 2xP1	SE13 = SE4 + 3xP1
SE8 = SE5 + 1xP1	SE11 = SE5 + 2xP1	SE14 = SE5 + 3xP1



Optional Locking Piece for Fixed Head - Light Tile Applications



Optional Pins for IPE Tile Applications



Wood Joist Head for Wood Joist Applications



LGH2 1/16" (2mm) Leveling Shim



LGH3 1/8" (3mm) Leveling Shim



LH3 1/8" (3mm) Leveling Shim



EH 12



EH 20

Note: It is recommended to place additional supports under pavers with heavy objects, such as Planters & Hot Tubs, for extra support!

CARE & MAINTENANCE

IPE structural wood tiles are constructed exclusively with IPE wood, which is noted not only for its stability in service, but also its long life, hardness, excellent weathering properties and resistance to insect attack. IPE tiles can thus be expected to maintain their attractive appearance over a long period with minimal ongoing maintenance.

IPE wood typically exhibits variation in both color and grain, which can vary both from tile to tile and within the individual slats of a single tile. These variations add to the character and overall appearance of the finished project. Over time however, the color variations will tend to decline and the wood will fade to a soft, silvery grey color.

As supplied, IPE wood tiles do not have any sealer or decking oil applied to the surface. However a wax is applied at the ends of the slats to minimize any slight cracking or checking. If the tiles are not coated with any sealer or decking oil after installation and left to fade naturally, slight “bleeding” of the wax on the ends may give the appearance of water staining on the ends of the wood slats.

STORAGE PRIOR TO INSTALLATION

If the tiles have been supplied on a pallet with stretch wrapping, all the plastic wrapping should be removed and the pallet left in a shaded or covered position out of direct sunlight, until the tiles are installed.

MAINTAINING THE WOOD COLOR

IPE tiles will fade naturally to a silvery grey color if exposed to UV in sunlight. The rate at which this will occur depends largely on the degree of exposure to direct sunlight, the climatic conditions and the frequency at which any preservative treatments are applied.

To slow the rate of this natural fading and to keep the tiles in their optimum condition, as soon as convenient after installing the tiles, we strongly recommend applying a good quality decking oil with a brush or roller. This can not only reduce the rate of fading, but can to some extent help mitigate the loss of moisture on the top of the wood slats which in turn can minimize checking (small cracking) and splitting. Note that a small amount of checking and splitting can be expected as a natural occurrence in the natural weathering process.

Decking oils which contains trans-oxide pigments or other proprietary UV absorbing or reflecting compounds and have a high solids content are preferred for longer term results and extended periods between applications of the decking oil/sealant. These specialized products will help maximize the durability, beauty and value of your tiles and assist in maintaining the original wood color as long as possible. Some proprietary products will also provide additional protection against mold and mildew.

PERIODIC CLEANING

From time to time, it may be necessary to use a commercial cleaning product to both clean the surface of the deck and kill mold spores. Deck brightening products may also be used providing you carefully test the product in an inconspicuous area to ensure it will achieve the results you require.

PRESSURE WASHING

A pressure washer may be used to remove any built-up dirt, mold or mildew from the surface of the tiles. Although IPE wood is an exceptionally hard and dense species, we recommend you firstly test the pressure washing on an inconspicuous area.



WARRANTY

IPE Structural Wood Tile Warranty

MRP Supports, LLC (hereinafter referred to as "MRP") warrants to the original purchaser that its structural IPE wood deck tiles shall be free from material defects in workmanship and materials for a period of three (3) years from the date of original purchase, under normal use and service condition. Defects are defined as imperfections that impair the utility of the product for its normally accepted purpose.

If a defect appears within the warranty period, you must notify us in writing by sending a description of the claimed defect together with proof of purchase to the following address:

MRP Supports, LLC

**3310 N. Benzing Road
Orchard Park, NY 14127
Ph: 800-828-8424**

After confirmation by an authorized representative of the defect, our sole responsibility shall be, at its option, to either replace the defective item or refund that portion of the purchase price paid by you for the defective item (not including the cost of its initial installation). This warranty shall not cover and we shall not be responsible for costs and expenses incurred with respect to the removal of defective products or the installation of replacement materials, including but not limited to, labor and freight.

We do not warrant against, is not responsible for, and no implied warranty shall be deemed to cover, any product failure, product malfunction, or damages attributable to:

- Improper installation of the products and/or failure to abide by our installation guidelines.
- Any non-structural cracking, breakage, or other damage occurring during or after installation.
- Use of our products in an application not recommended by our guidelines and local building codes.
- Use of the tiles for other than pedestrian use. Use of wheeled or motorized traffic on the tiles will void the warranty.
- Movement, distortion, collapse or cracking of the surface or the supporting structure on which the products are installed.
- Any act of God (such as flood, hurricane, earthquake, lightning, fire, et al), environmental condition (such as air pollution, mold, mildew, et al), or staining from foreign substances (such as dirt, grease, oil, et al).
- Natural imperfections or variations in the wood
- Natural weathering of the wood including but not limited to fading of the wood.
- Improper handling, storage, abuse or neglect of the products including but not limited to excessive weights being applied on the tiles.
- Ordinary wear and tear

You are solely responsible for determining the effectiveness, fitness, suitability and safety of the products in connection with its use in any particular application. No person or entity is authorized by us to make any statement or representation as to the quality or performance of our products other than as contained in this warranty and we shall not be bound by any such statements or representations. This warranty may not be altered or amended except by means of a written document signed by both ourselves and yourself.

Under no circumstances will we be liable or obligated for any incidental, consequential, indirect, special, punitive or any other damages of any kind whatsoever (including, but not limited to, lost profits, lost sales, loss of goodwill, stoppage of work, or impairment of assets), whether foreseeable or unforeseeable, arising out of breach or failure of express or implied warranty, breach of contract, fraud, misrepresentation, negligence, strict liability in tort or otherwise, except and only to the extent this limitation is specifically precluded by applicable law of mandatory application. Our liability with respect to defective products shall in no event exceed the replacement of such products or refund of the purchase price, as described above.

Some states do not allow the exclusion or limitation of incidental or consequential damages, or do not allow limitations on how long an implied warranty lasts, so the above limitation or exclusion may not apply to you. This warranty gives you specific legal rights, and you may also have other rights that vary from state to state.

This warranty shall only be applicable and enforceable in the United States of America and Canada.



PEDESTAL SUPPORTS ■ DRAINS ■ VENTS ■ ACCESSORIES ■ EQUIPMENT

3310 N. Benzing Road
Orchard Park, NY 14127

P 800.828.8424 | F 716.332.7676

mrp@mrpsupports.com
www.mrpsupports.com



An *Elegant*
solution for sloping
or uneven exterior surfaces.

