

Aurora Deck Lighting

ODYSSEY LED STRIP LIGHTING KIT

YOUR COMPLETE KIT INCLUDES:

- a. 4 LED Strip Lights
- b. 12 Connectors
- c. 100' of Twisted Wire
- d. LED Power Driver with Power Cord
(Capacity up to 24 Lineal Foot of LED Lighting)
- e. Remote Driver
- f. Remote Control

REQUIREMENTS:

Before you begin, make sure you have an external, weatherproof, protected 110 volt outlet that meets GFCI (ground fault circuit interrupter) standards. Mount the LED Driver at least 18 inches above the ground. Best results can be achieved when you have access to the underside of your deck or installation surface. Do not install more than 23 Lineal Feet of Odyssey LED Strip Lighting on one 3 Amp (36 Watt) driver box. Do not install more than 16 Lineal Feet of Odyssey Strip Lighting per run.



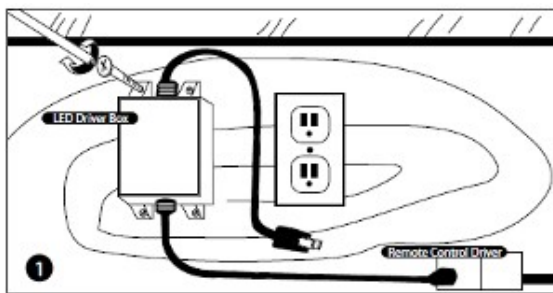
Use on steps, railings, handrails, coves, sots, gazebos & pergolas, kitchen cabinets, or anywhere you need small bright lighting for years of service.

TOOLS:

Power Drill • Table Saw or Router • 3/16" Kerf table saw blade or 3/16" straight router bit • 1/2" spade bit or forstner bit • Screwdriver • Pliers • Tape Measure • Clear silicone caulk or sealant • Eye protection

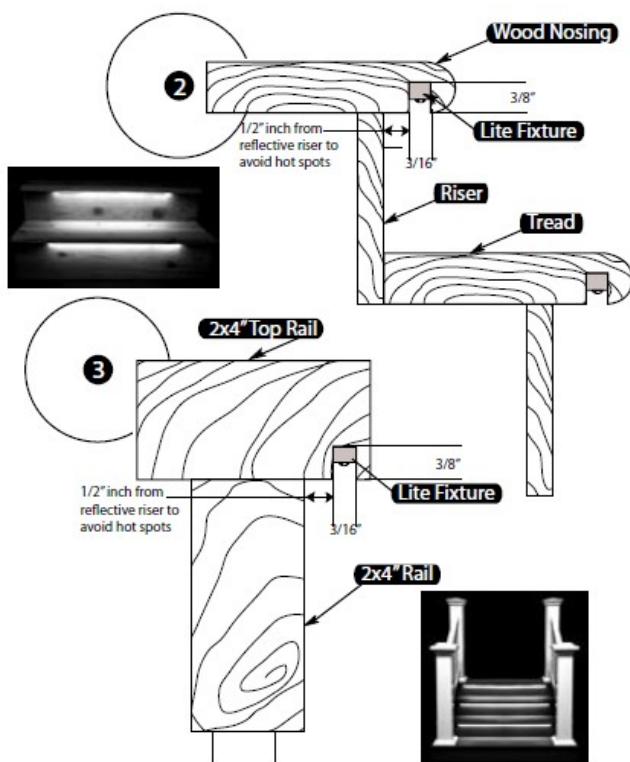
Installation Instructions

CAUTION: Use eye protection when using power tools. Do not install more than 24 lineal feet of LED Strip Lights on one 3 AMP driver box. Do not install within 10 feet of a pool, fountain or spa.



POWER SOURCE: Mount the LED Driver Box at least 18 inches above the ground near your outlet using screws. Do not plug it in. [ILLUS. 1]

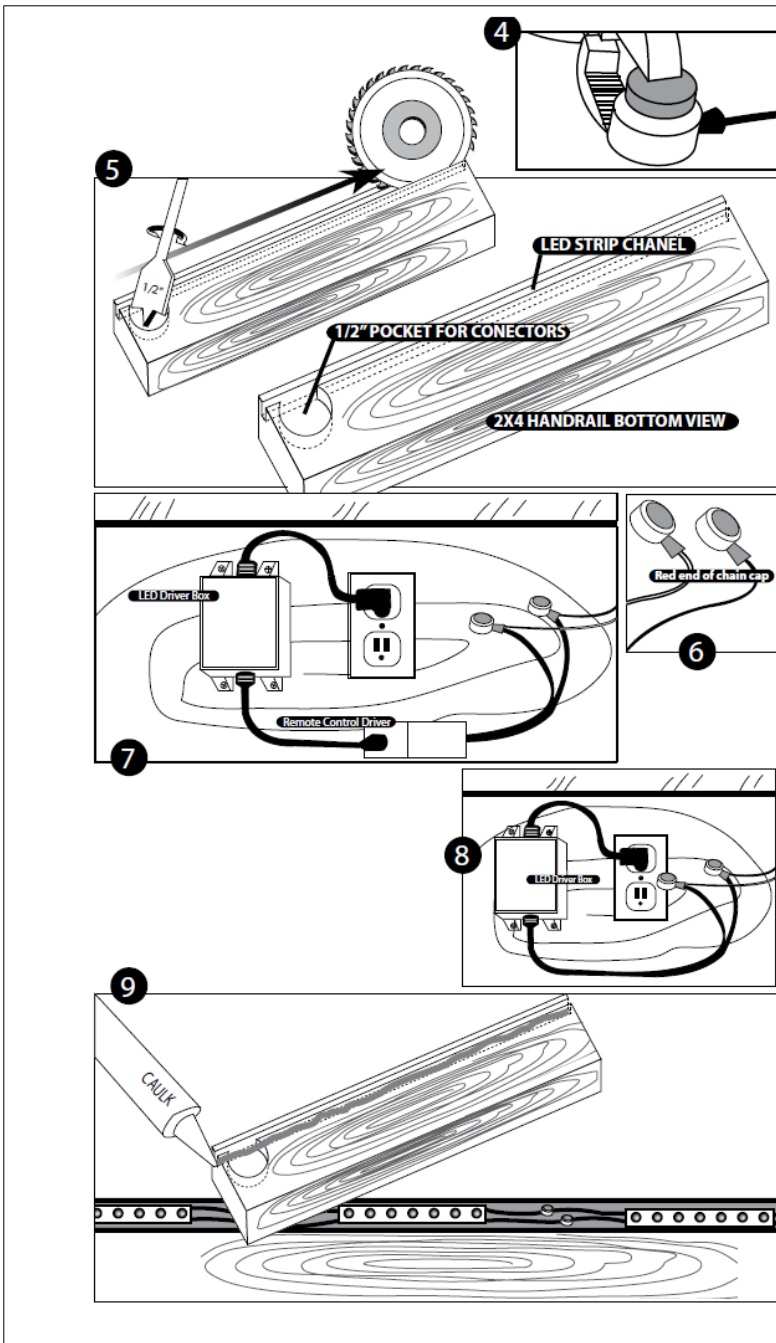
Determine the locations for your LED lights on your railing, stair nosing, etc. Keep in mind that your farthest LED Strip light can be no more than 100 feet from the LED driver box using the wire included in this kit.



FOR STAIR INSTALLATION: [ILLUS. 2] using a table saw or router, cut a 3/16" wide x 3/8" deep channel the full length of the stair nosing. For best results, The LED Strip should be at least 1/2" from stair riser to avoid hot spots.

FOR HANDRAIL INSTALLATION: [ILLUS. 3] using a table saw or router, cut a 3/16" wide x 3/8" deep channel the full length of the handrail. For best results, The LED Strip should be at least 1/2" from horizontal surfaces to avoid hot spots. The bottom of your hole needs to be flat so the light lays in correctly.

Prior to gluing the LED Strip lighting into place, be sure to lay out your LED Strips in such a way that you can connect the wires from one LED strip to the next. If your LED strips will be more than 8' apart, you can use portions of the 100' wire included in the kit to extend the LED strip. If your wires will be less than 8' apart, you can trim the length of wire to required length. Please note the location that the wire connectors will end up before you trim the wires – you will need a pocket or void to conceal the wire connectors.



Starting with the LED Strip farthest from the power source, connect the LED Strips in series. There is no need to cut or strip the wire. First insert the black wires into the open side of a connector so that it fits snugly in the space provided. Squeeze the connector closed using a pair of pliers. Repeat this process to connect the white wires with another connector. Connect all lights in this manner. [ILLUS. 4]

At each connection point, you will need a pocket or a void to conceal the connectors. This can be done using a 1/2" spade or forstner bit. Drill a 1/2" deep hole to allow space for the connectors. [ILLUS. 5]

NOTE: The LED Strips farthest from the power source (The last LED Strip on the wire run) will be capped separately with a connector at the end of your installation. Do not connect the white and black wires on the same connector – this will short the entire system. It is ok to cut the remaining 4' of wire if needed to conceal the connectors. See Figure #6

Once all of the LED Deck lights have been connected to the wire, connect the end of the twisted wire to the remote driver or power box. Connect the Remote Control Driver wires to the end of the twisted wire using two connectors. The black wire must be connected to the positive wire lead as noted on the transformer, and the white wire must be connected to the negative wire. See Figure #7

Use of the remote is optional and the remote driver can be bypassed by removing it from the power source. See Figure #8

Plug in the power source to make sure all lights are working properly. Unplug before proceeding to the final steps.

Using a caulk gun, run a bead of silicone sealant or caulk in the channel the entire distance of the slot cut for the LED Strip and wire. [ILLUS. 9] Do not use excessive amounts of silicone. Center the LED Strip on the material, and press into the slot so that it seats down evenly in the slot. If needed, a bead of silicone can overlay the wires to provide additional hold.

When all lights are installed, plug in the power cord, and operate using either the remote control or the light switch.

TROUBLE SHOOTING TIPS :

Make sure all wires are connected in like color pairs. Make sure the remote control has a battery and it is installed correctly. If you choose to bypass the remote, be sure to remove the remote driver from the set-up and connect the twisted pair wires directly to the power box.

WARRANTY INFORMATION

The Odyssey Strip Lighting Kit is covered by a one year limited warranty.

This product is warranted against defects in materials or workmanship as follows:
 Units will be repaired or replaced, at our option, without charge for parts or labor for one year from date of purchase. Repairs and parts fees are the responsibility of the product owner after the indicated period of one year. The limited warranty cannot be transferred and is valid only for the purchaser of the product. It does not cover damage or failure caused by or attributable to natural disaster, abuse, misuse, improper or abnormal use, faulty installation, improper maintenance, lightning, or other incidences of excessive voltage, or any repairs or tampering by other than our Warranty Services Department. Products proven defective in workmanship or material are covered solely by the remedies of repair or replacement as provided by the terms of this warranty. Under no circumstances shall Aurora Deck Lighting be liable for any loss or damage, direct, or incidental, arising out of the use of or inability to use this product. Some states do not allow limitations on how long an implied warranty lasts or the exclusions or limitations of incidental or consequential damages, so the above limitations may not apply to product owners in certain states. To obtain warranty service, call 800 603 3520 for a return merchandise authorization number, and send the product with a copy of the sales receipt and a description of the problem, along with your name, address, and phone number to:

Aurora Deck Lighting, 960 E Milwaukee St. Whitewater, WI 53190

Repairs will be returned to the customer using UPS Ground service. Other carriers may be used at our option. If faster delivery is requested, the product owner must pay the cost difference over the UPS Ground service charge. Aurora Deck Lighting is not liable for products lost or damaged during shipment.