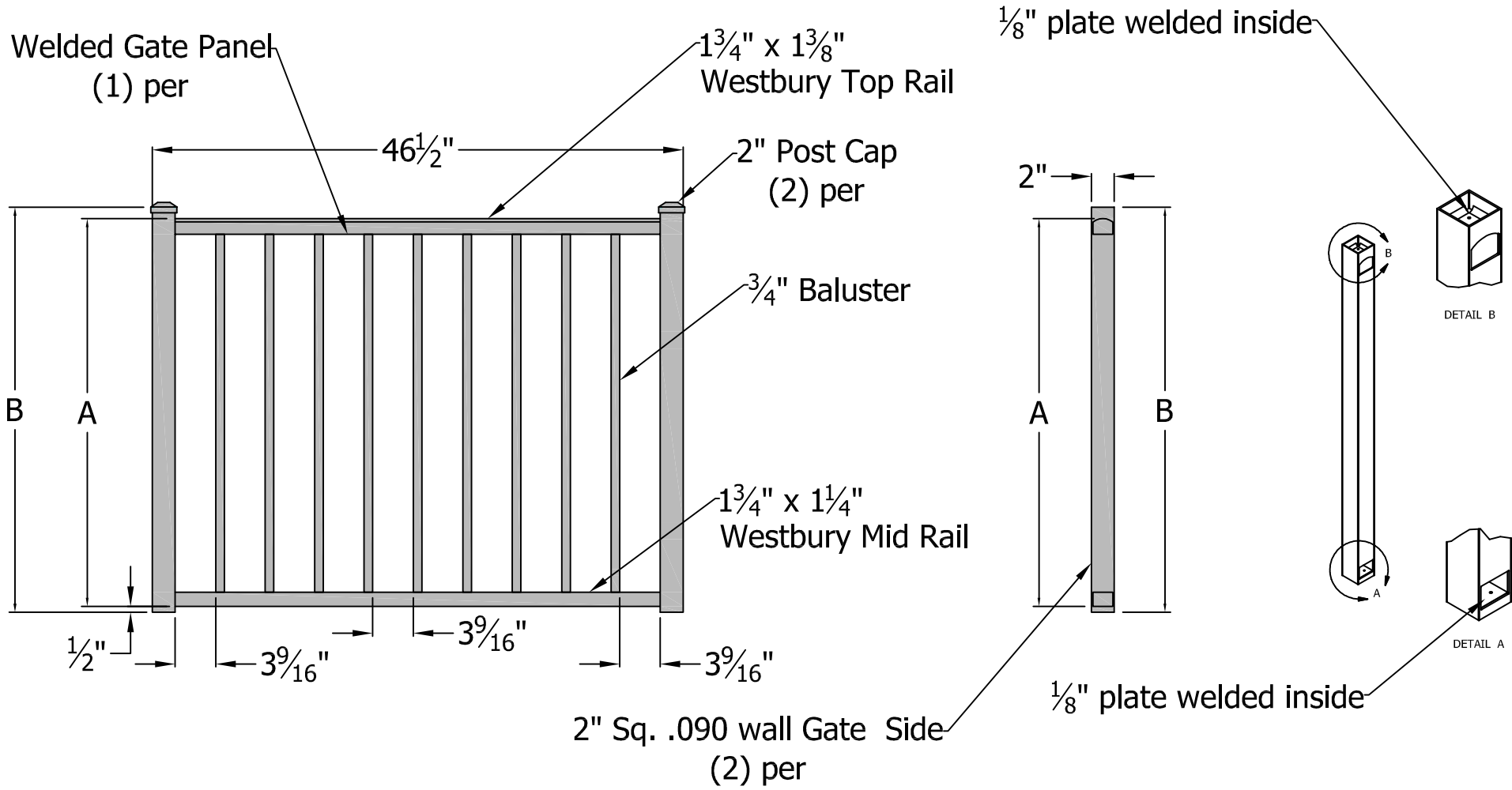


Nominal Rail Height	Baluster Style	Part #	A	B
36"	Square	70034	34"	35½"
36"	Round	72230	34"	35½"
42"	Square	70036	40"	41½"
42"	Round	72232	40"	41½"

PART NUMBER:		
REV.	REVISION	DATE
A	RELEASE PENDING APPROVAL	
B	Reduced bottom rail height from 1" to 3/8"	03/29/2016



APPROVED BY:

DATE APPROVED:

FINISH:

**DSI** Digger Specialties, Inc. 3446 US 6 EAST Bremen, IN 46506

SHEET SIZE= C	DRAWN BY: cm	PART NUMBER or STYLE: C10_C101 Gate 48in Wide
SCALE = 1":1"	DATE DRAWN: 02-16-2016	Quote requested by:
STANDARD TOLERANCE: .00 ±.01 FRACTIONS: .000 ±.005 ANG. ±.5° ±18°	LOC: Z:\Aluminum\Westbury\C10 Tuscany\Gates	
FIRST USED ON:	DRAFT: 20160216-2C	PART NAME: Gate
		SHEET OF B

4

3

2

1