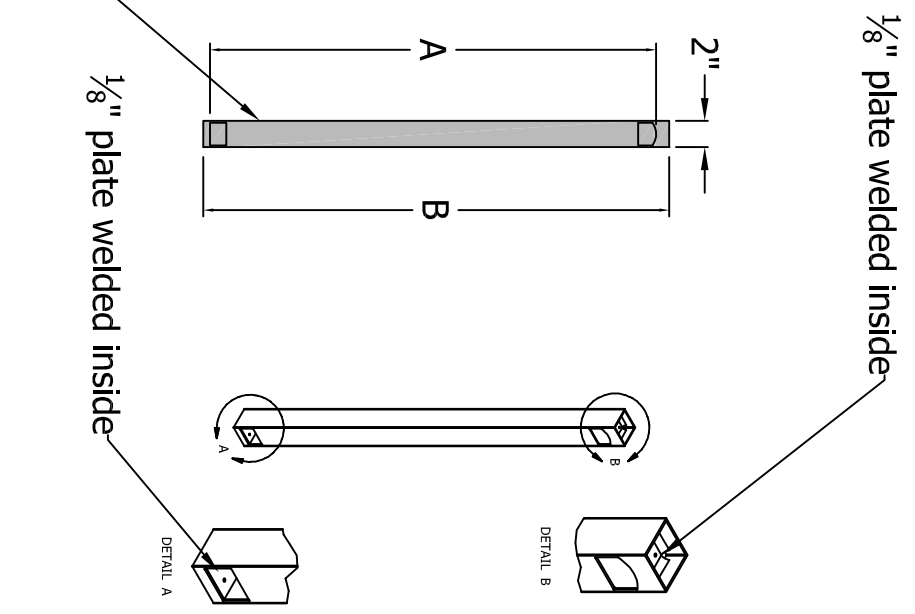
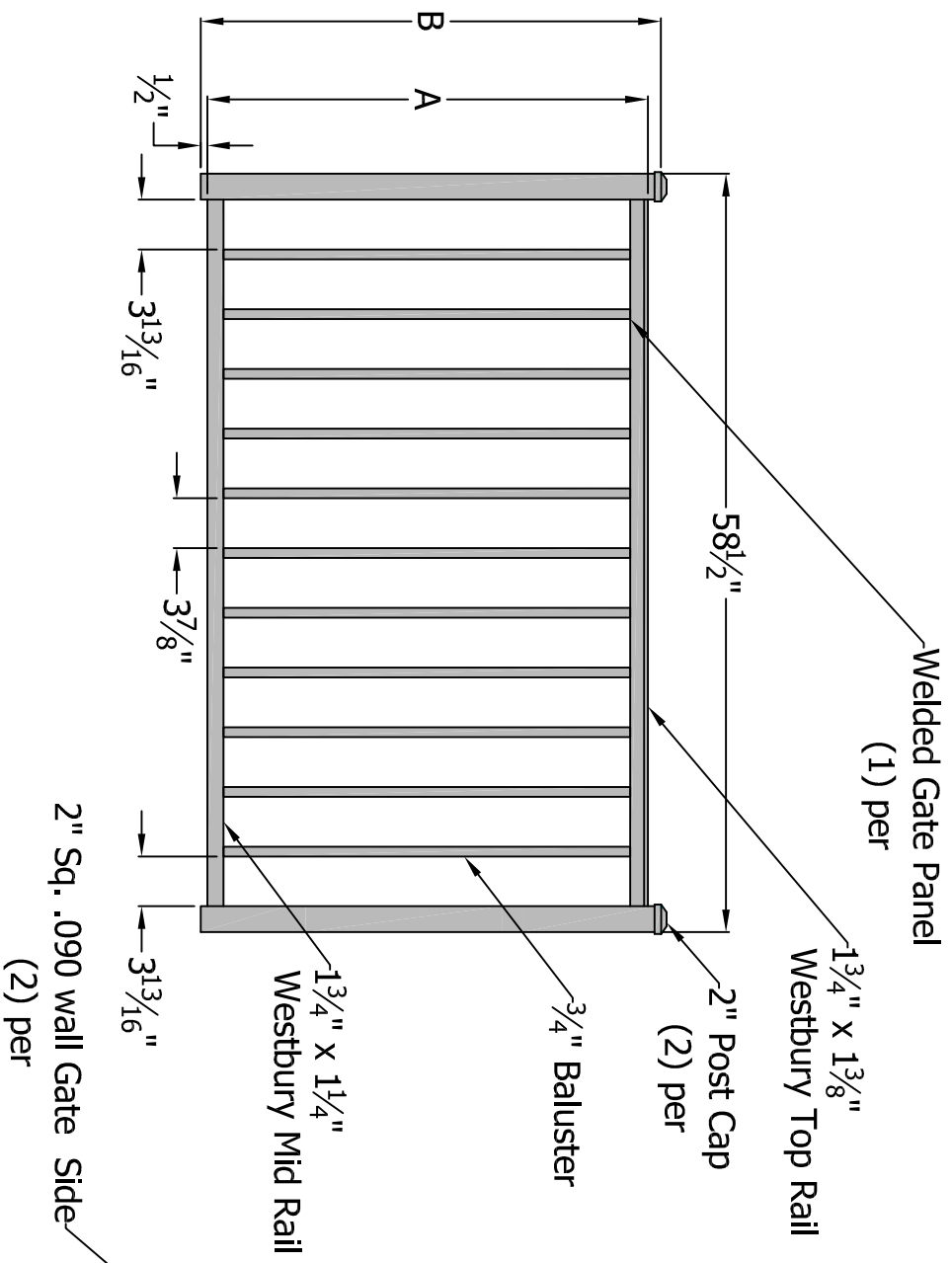


Nominal Rail Height	Baluster Style	Part #	A	B
36"	Square	73310	34"	35 1/2"
36"	Round	73324	34"	35 1/2"
42"	Square	73311	40"	41 1/2"
42"	Round	73325	40"	41 1/2"

REV.	REVISION	DATE
A	RELEASE PENDING APPROVAL	
B	Reduce bottom rail height from 3" to 1"	03/29/2016

PART NUMBER:



APPROVED BY:  
DATE APPROVED:

FINISH:

DSI Digger Specialties, Inc.  
3446 US 6 EAST  
Bremen, IN 46506

SHEET SIZE = C  
SCALE = 1" = 1"  
STANDARD TOLERANCE: .000 ±.005 ANG. ±.5°  
LOC: Z:\Aluminum\Westbury\C10 Tuscan\Gates  
DRAWN BY: CM  
DATE DRAWN: 02-16-2016  
PART NUMBER or STYLE: C10\_C101 Gate 60in Wide  
Quote requested by:

PART NAME: Gate  
SHEET OF: B

4

3

2

1