

Tuscany Series

(Style C10)

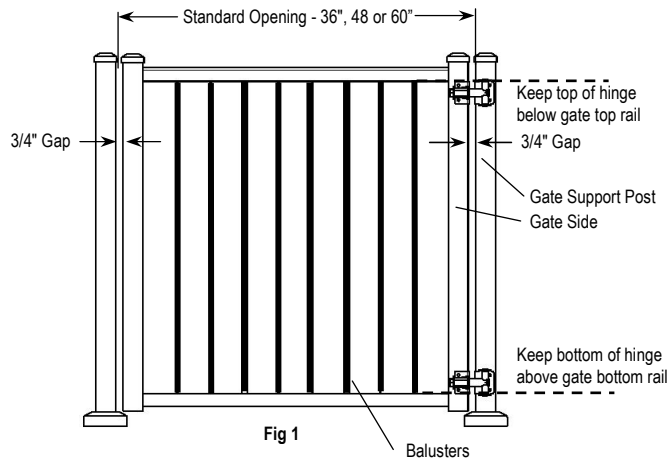
Adjustable Gate Installation Instructions



- These instructions must be followed exactly as written and the materials used must be exactly as shown in the instructions. Any deviation from the instructions or variation in the materials used/installed may result in an unsuccessful installation.

Standard Width Gate

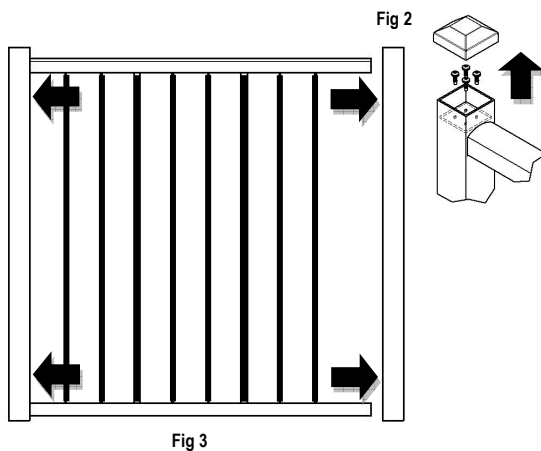
1. Position hinges on gate as shown (Fig 1).



2. Follow installation instructions included with hinges and latches. **NOTE:** Align gate rails with adjacent railing when attaching gate to gate support post.

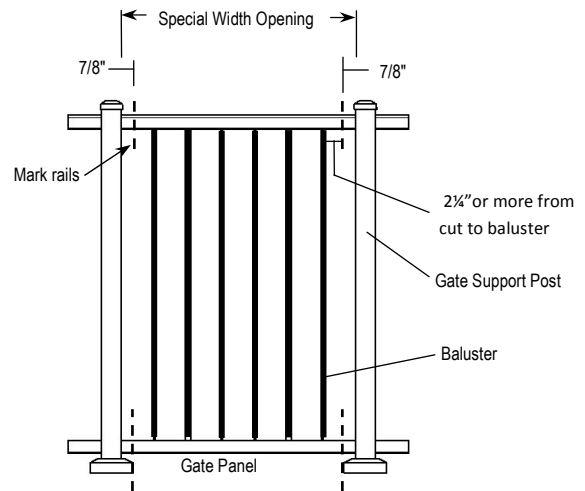
Special Width Gate

1. Remove caps from both gate sides by lightly tapping with a rubber mallet. Remove screws inside top and bottom of each gate side (Fig 2).
2. Remove gate sides (Fig 3).



Special Width Gate Cont'd

3. Position gate panel against gate support posts with equal baluster spacing on each end of rails (if possible). Mark rails where they are to be cut at 7/8\" back from support post. (Fig 4). **NOTE:** Make sure there will be 2 1/4\" or more of rail before the first baluster on each end.



4. Cut top and bottom rails.
5. Slide gate sides onto rails. Reinstall screws and then caps that were removed in step 1. Now gate is ready to install.