



# Deck CRTBR Installation

CRTBR636,42  
CRTBR836,42

Residential installation only. Commercial applications may differ.  
Always check with local building codes prior to purchasing and installing this product.

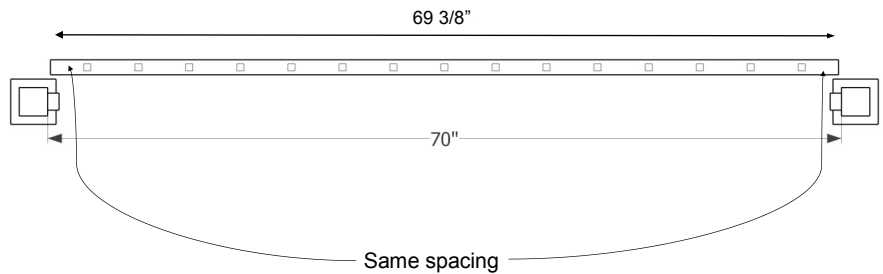
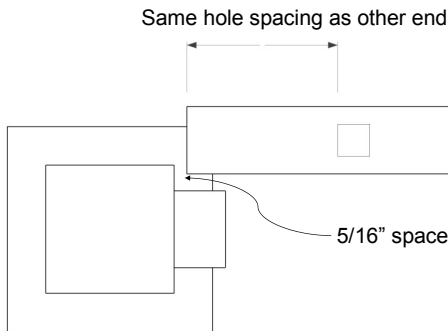
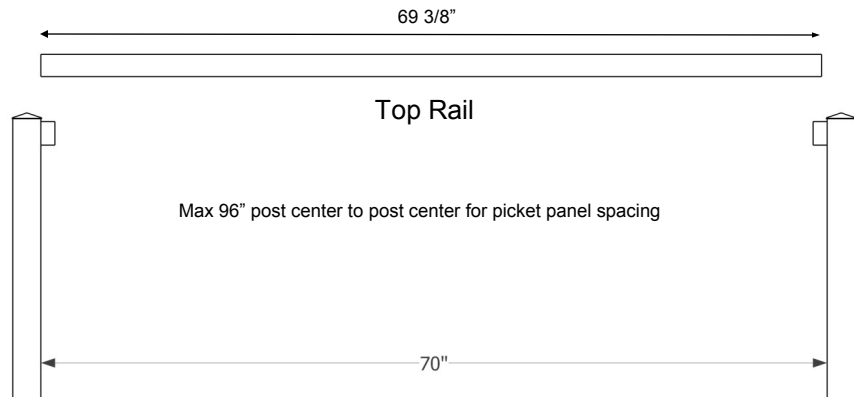
## Cutting Top Rail

With the posts standing on the deck, measure the distance between the posts (for accuracy, take measurement between both posts at the bottom), subtract 5/8" from total measurement, and cut top rail.

## Cutting Bottom Rail

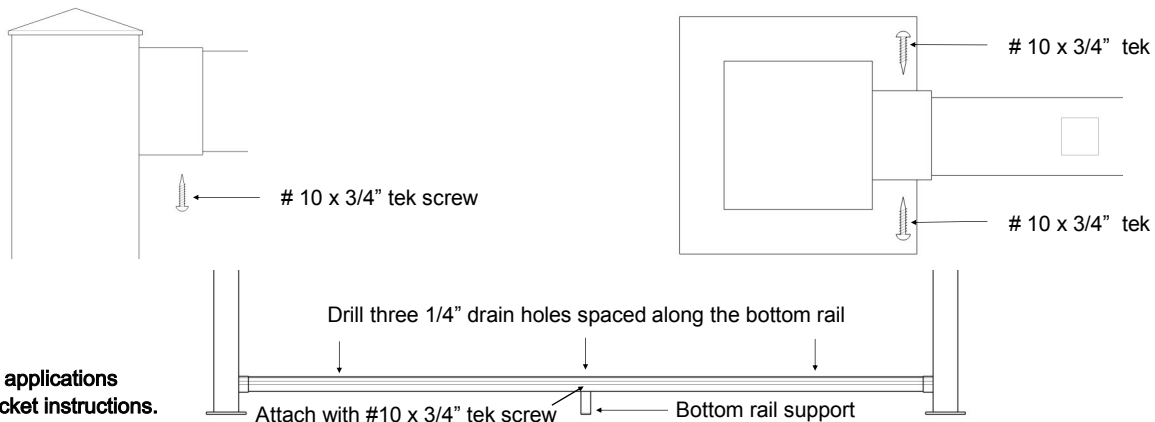
Position and hold the bottom rail against the post near the lower post bracket. For picket bottom rail, center the railing to ensure equal hole distance from each side to post (see below). Mark the top of the railing at each end in line with the side of the post. Subtract 5/16" from each mark and cut both ends.

Balance the distance between posts on the bottom rail and install support leg(s) under the railing. Bottom rail supports are packaged with all top and bottom rails. Install 1 support leg on a 6' panel, and 2 support legs on an 8' panel (supplied). Support leg is required every 3'.



## Installing Top and Bottom Rail

Install bottom rail in one end of bottom post sleeve, tilt post on other end and install. (You may need to remove the lag screw and move the posts slightly to allow an easy fit of the bottom rail into the lower post sleeves.) Install the top rail into one end of the post sleeve and tilt the other post to position the top rail into the opposite sleeve. Plumb the posts. Install and secure the remaining lag screws into the base plates. Use #10 x 3/4" tek screws to secure the top and bottom rails to the sleeves. (When installing Century Railings in high salt content areas, apply one coat of urethane caulking to any cut or exposed areas on the top or bottom rail ends and other components that have been cut or drilled.)



**Note: For stair applications see swivel bracket instructions. CNSBS**

It is the sole responsibility of the home owner/contractor to comply with local building codes.

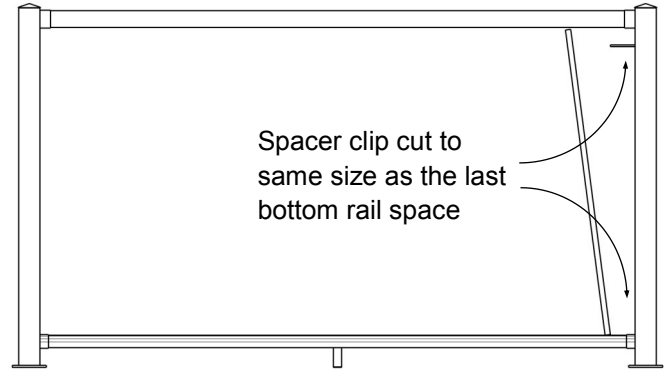
9685 Agur St. Summerland B.C. V0H 1Z2  
Phone: 778-516-6250 Fax: 778-516-6003 Toll Free 1-888-493-1103  
www.centuryrailings.com  
For further detailed instructions visit our website or call us toll free

# Deck & Stair Picket Installation

Residential installation only. Commercial applications may differ.  
Always check with local building codes prior to purchasing and installing this product.

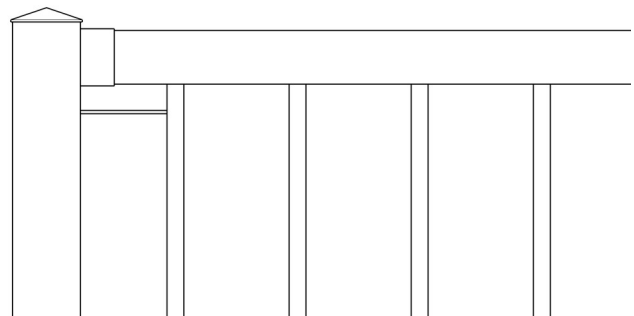
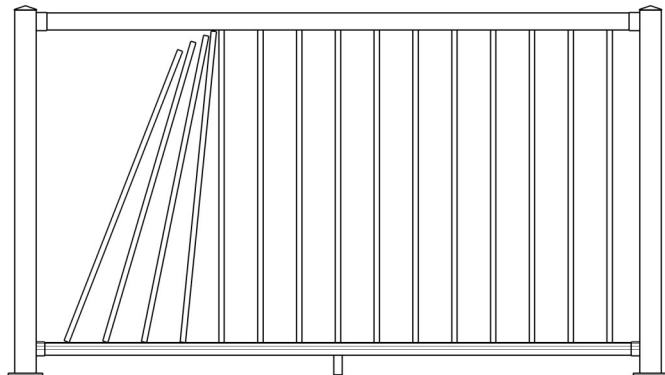
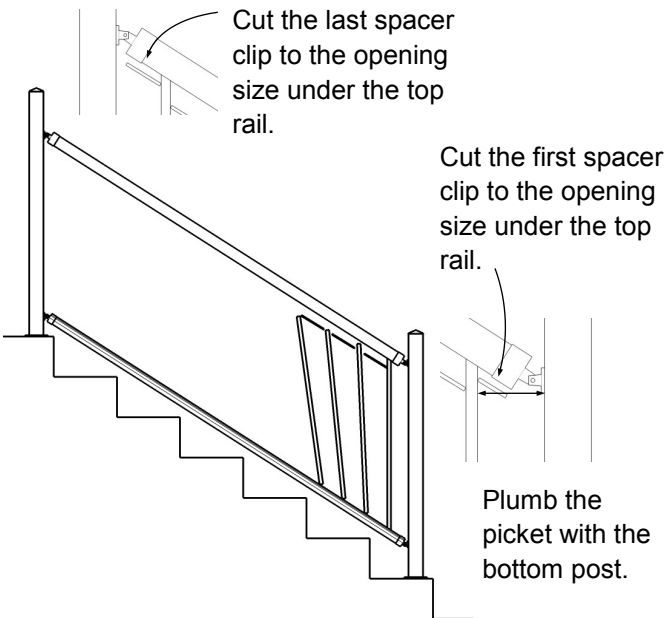
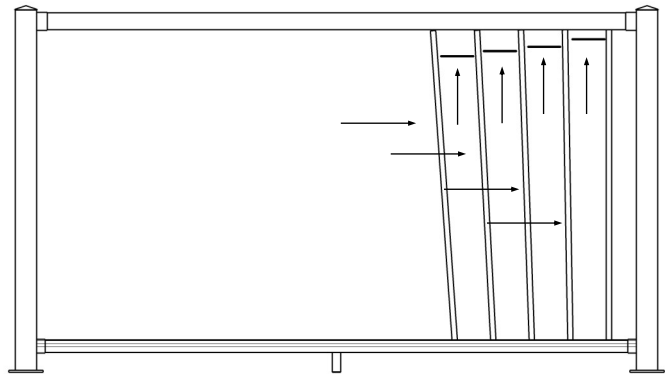
## Deck

Cut and install the first spacer clip the same size as the space between the last hole in the bottom rail and the post. Start installing pickets, putting the picket into the bottom rail and plumbing it, then inserting a spacer clip into the top rail. Continue until there are 4 empty spaces. Insert those pickets as a group, then spread them out and secure with spacer clips, cutting the last clip to length.



## Stair

Starting at the bottom of the stairs, install one picket so it is plumb with the bottom post. Measure the opening size for the first spacer clip, cut it and install. Continue adding a picket then a spacer clip until you've installed the last picket. Measure the last opening then measure, cut and install the last spacer clip.



*It is the sole responsibility of the home owner/contractor to comply with local building codes.*

9685 Agur St. Summerland B.C. V0H 1Z2  
Phone: 778-516-6250 Fax: 778-516-6003 Toll Free 1-888-493-1103  
[www.centuryrailings.com](http://www.centuryrailings.com)  
For further detailed instructions visit our website or call us toll free