

PARTS



Empress

Radiance

Spotlight

Ginny



Male-to-Male
Connector Wire



Female-to-Female
Adapter



Splitter



Puck

TOOLS NEEDED



3/4" Auger
(1.9cm)



Step-up Transformer
(DEKOR® Spotlight Only)



5-way Splitter
(For DEKOR® Spotlight
or multiple dimmer zones)

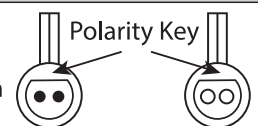
WARNING:

BEFORE ANY DEKOR® LANDSCAPE LIGHTING IS INSTALLED, IT IS THE INSTALLERS RESPONSIBILITY TO ENSURE THAT ALL UNDERGROUND UTILITIES/LINES ARE LOCATED (GAS LINES, ELECTRICAL LINES, DATA LINES, WATER LINES, ETC.) PRIOR TO ANY WORK BEING DONE.

HELPFUL TIPS

- » Follow the appropriate building and electrical codes when installing all DEKOR® lighting products.
- » It is up to the individual customer as to where lighting components are placed. Different length lead wires can be purchased depending on the distances between lights.
- » Leave wire slack to make fixture terminations. Remember slack will be required to properly bury wire.
- » DEKOR® Landscape wires are approved for underground use. Wire is made from silver coated copper.
- » All DEKOR® landscape lights have male connectors. DEKOR® Spotlight will require the use of a female-to-female adapter to connect light to male connector wire (this adapter is sold with DEKOR® Spotlight but is also sold separately if needed for other areas).
- » DEKOR® Spotlights require different wiring configurations; refer to detailed instructions on following pages for specifics.
- » Additional length can be added to all DEKOR® Landscape lights with the use of male-to-male connector wires, sold in lengths of 5', 10', 20', 40', and 60'.
- » All lights (except Spotlight) can be wired together on one circuit. To make installation easier optional 6-way splitters are available (sold separately).
- » Use only a standard household AC GFCI protected outlet to help prevent damage from power surges or lightning.
- » When using timer, ensure it is in full view of the sun when using the dusk/dawn feature. Timer must be installed with plugs facing downward only, timer is rain proof.
- » To ensure all components are in working condition it is recommended to have power source attached when installing lights.
- » When burying wire in live sod use spade shovel to make a slit in the soil. Bury the wire 1"-3" (2.5 cm - 7.6 cm) deep and tamp down the soil. Water heavily to allow the soil to resettle and minimize impact on the installation site.

CAUTION:



When making a connection between a Plug N Play connector or a splitter; observe the polarity key to make the proper connection. The male and female connectors have a flat side that **MUST MATCH UP. DO NOT** force the connectors together.

DEKOR® LANDSCAPE LIGHTING

Installation Instructions



How to install DEKOR® Landscape Lighting / CONTINUED (Radiance, Empress, Ginny, and Puck Lights)

- » ALWAYS check local codes before beginning your project.
- » USE DEKOR® TRANSFORMERS ONLY. Using any other type of transformer voids the warranty.

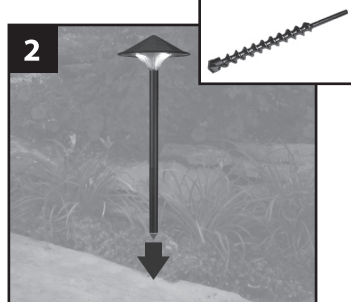
TRANSFORMER CAPACITY BY TYPE		
Type of Light	5A Transformer EZ Max Transformer	2.5A Transformer EZ Transformer
Radiance	31	16
Empress	16	8
Ginny	31	16
PuckLight	46	23

Above listing is for maximum number of each individual types of lights. If mixing and matching lighting, contact DEKORLIGHTING.com to determine if more than one transformer is required.

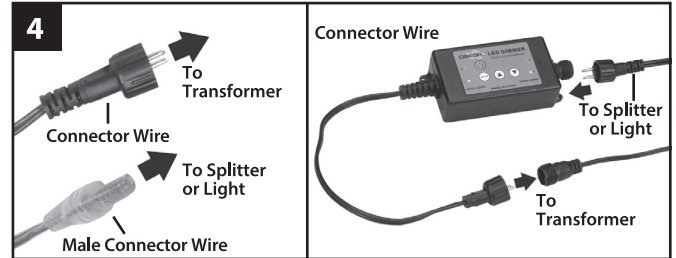


1 Locate placement of lights and lead wiring. If you choose to bury wire, under concrete or other permanent structures, plan accordingly.

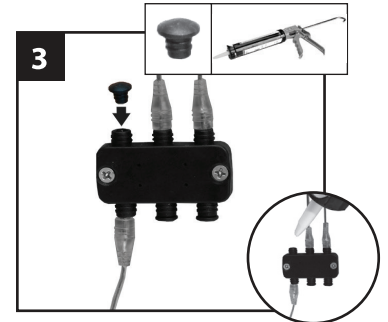
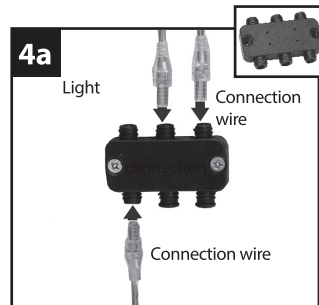
2. Place all lights in desired location. If necessary use 3/4" (1.9 cm) auger with optional extension in a drill to penetrate the surface enough to ensure the fixture is firmly implanted (see warning on Page 1).



3. Run all wires from the power source locations to the lights on top of the soil, remember to leave slack. If using separate circuits with independent dimmers, we recommend grouping lights by light type.



4. Connect all lights. Wire the optional dimmer (recommended) between the main 20' (6.1 m) transformer to male lead and the transformer for each circuit. Make sure connections, fixtures, and power sources (including splitters) are all working.

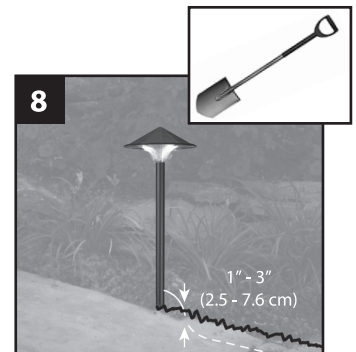


4a. Use male-to-male extension cables to make connections to splitters (all sold separately). Cap off all unused female connections on splitters using caps provided or weather resistant silicone.

5. You can mix and combine all lights except the spotlight on the same circuit but make sure you do not exceed the maximum number of lights per transformer. If running separate circuits with dimmers on each circuit, using a separate transformer for each circuit can simplify installation. However, use of a 5-way splitter will allow for separate circuits on the same transformer.

6. It is recommended the installer preview light placement in the dark to ensure desired effect is achieved.

7. Once the light, wire, and splitter placement is finalized, work from the light fixtures towards the power source to bury the wire to the desired depth. No more than 1"-3" (2.5 cm - 7.6 cm) is required.



How to install DEKOR® Landscape Lighting / CONTINUED

(DEKOR® Spotlight)

TRANSFORMER CAPACITY BY TYPE	
Type of Light	5A Transformer EZ Max Transformer
Spotlight	7

Above listing is for maximum number of each individual types of lights. If mixing and matching lighting, contact DEKOR® Lighting to determine if more than one transformer is required.

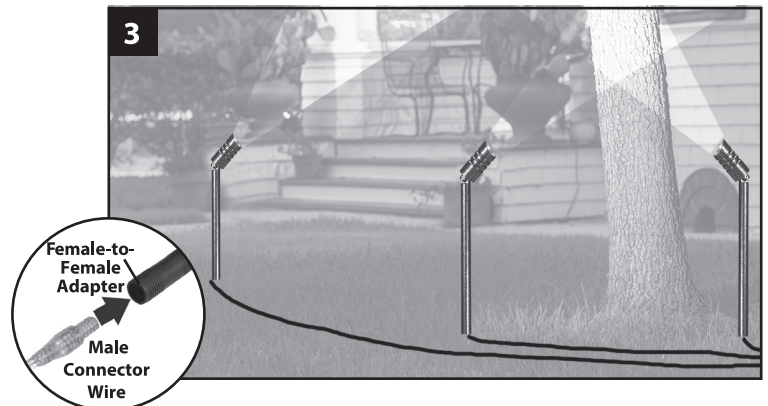
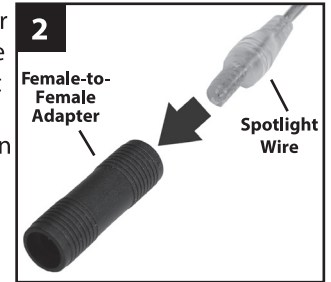
NOTES:

- » Each DEKOR® Spotlight requires use of a dedicated 36V Step-up Transformer (included).
- WARNING:** Step-up Transformer **DOES NOT** have fault protection, thus care must be taken if testing.
- » Spotlights must use a dedicated line running directly from the included 36V step-up transformer.
- Maximum** of seven spotlights are allowed per one 5-amp transformer. (**Note:** Must use two 5-way splitters if installing six or seven spotlights to single 5A transformer as 5-way splitter is designed for up to five spotlights.) Spotlights have a male lead and require the use of a female-to-female adapter to connect spotlight to connector wire. Determine the distance from the spotlight to the step up transformer. Select the appropriate male-to-male connector wire to make the distance (Make sure to account for slack to bury the cable)(Cables sold separately). **Do not mix** any other lights on the spotlight circuit. Applying 36V to any other fixture types will result in very short diode life and will void warranty.
- » **DO NOT LOOK DIRECTLY INTO SPOTLIGHT WHEN ON, THIS LIGHT IS VERY STRONG.**

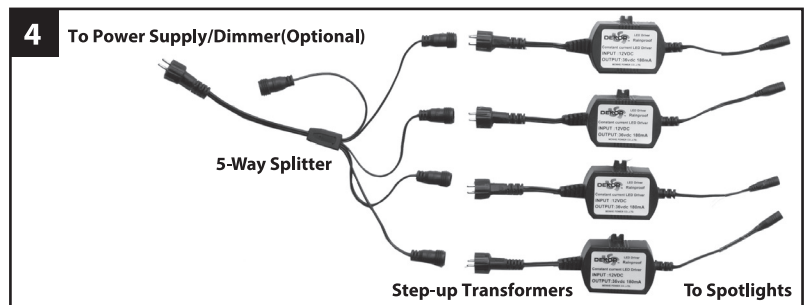


1. Locate placement of spotlights and lead wiring. Plan accordingly if you choose to bury wire under concrete or other permanent structures.

2. When adding male-to-male connector wire extension use a female-to-female adapter. Connect male lead from light to one end of the female-to female adapter. Add male lead from extension to the other end of the adapter.

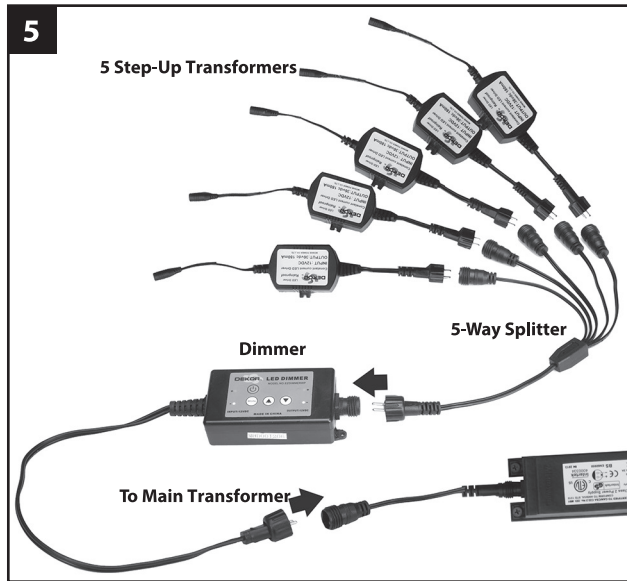


3. Connect opposite end of female adapter to male connector wire. Choose appropriate length wire based on your needs. Run all wire on the surface back to the location of the power supply.



4. Connect opposite end of male connector wire cable to female end on Step-up Transformer. If using more than one spotlight, use 5-way splitter on Step-up Transformer, making sure that each spotlight is utilizing its own 36V Step-up Transformer. Wire the Step-up Transformer or 5-way splitter to the 5A main transformer.

How to install DEKOR® Landscape Lighting / CONTINUED



5. If using an optional dimmer (recommended), simply place the dimmer between the 5-way splitter and main transformer.
6. Test lights to ensure power supply, connections, and light fixtures all work properly and placement is appropriate.

7. Ensure that all unused connections on 5-way splitter are covered using weather resistant silicone.



8. Ensure that lights are all working with all wiring attached prior to burying any wire. No more than 1"-3" (2.5 cm - 7.6 cm) is required.

