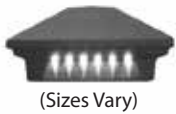


PARTS

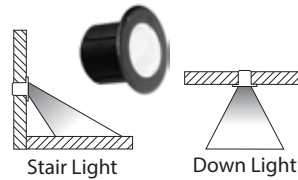
A Illuminated Post Caps



B Post Lamps



C Recessed Lights



D DEKDOT™ Lights

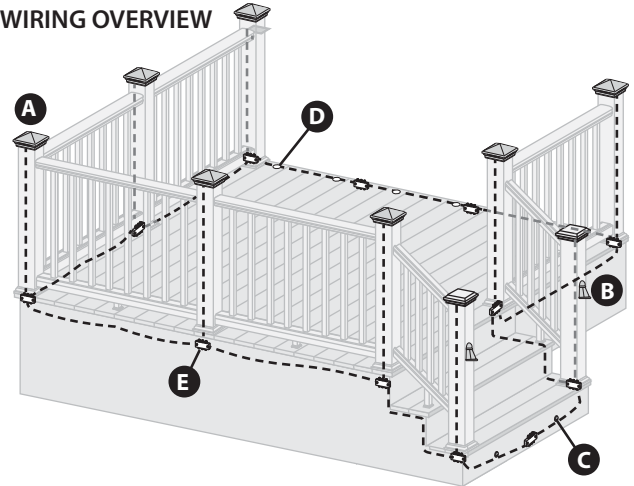


E Splitter

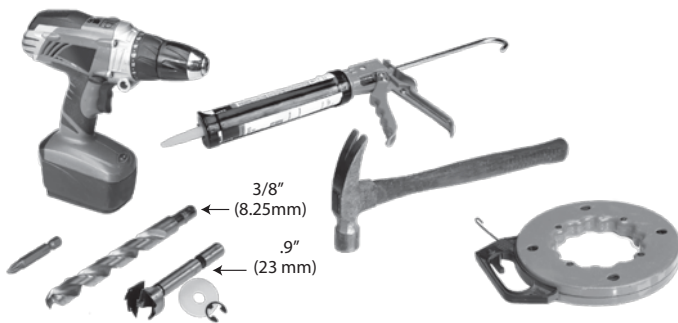


» 5', 10', 20', 40', and 60' male to male connection/extension wires sold separately.

LIGHTING AND WIRING OVERVIEW



TOOLS NEEDED



NOTE: All wiring and splitters are mounted to inside of framing, picture is just representation of where to place these in general.

NOTE: Avoid railing brackets and locations for deck rail lights when running wires up posts.

NOTE: It is recommended to install wiring and splitters before decking and railing have been installed. **DO NOT** run wires between joists and deck boards.

HELPFUL TIPS

- » Leave wire slack to make fixture terminations.
- » Recessed lights work best when spaced 4' (1.22m) to 6' (1.83m) on center around perimeter of deck.
- » Post lights should be at level changes on a deck — at the top or the bottom of the stairs, or used in conjunction with post cap lights.
- » Consider local codes when using Recessed lights. If codes do not available determine number of lights and placement, in darkness, prior to drilling.
- » Carefully drill holes perpendicular to surface to avoid producing an enlarged hole. Light fixture will have a loose fit if hole is enlarged. Use a semi-permanent flexible outdoor adhesive (silicone caulk) to anchor light in place if this happens.
- » DEKDOT™ light holes should be drilled to a depth of 3/4" (1.9 cm) Recessed and post lights holes can be through holes. Silicone caulk will be required to anchor light in place in over-drilled recessed light holes.
- » It is best to use splitters at each post that has lights and depending on spacing in between each DEKDOT™ and recessed light.
- » Unused female connections need to be capped. Use provided caps or a weather resistant silicone to prevent corrosion or water damage.
- » There is no specified plug for lights versus lead wires on the splitter because the splitter is cross linked.
- » Each light has a lead attached with an approx. 5' to 6' (1.5 m to 1.8 m) length and have male terminals that plug into splitter.
- » It is recommended to use a separate dimmer control for each light type for maximum control.
- » To ensure all components are in working condition it is recommended to have power source attached when installing lights.

DEKOR® DECK LIGHTING Installation Instructions



How to install DEKOR® Deck Lighting / CONTINUED

General Information

- » ALWAYS check local codes before beginning your project.
- » USE DEKOR® TRANSFORMERS ONLY. Using any other type of transformer voids the warranty.

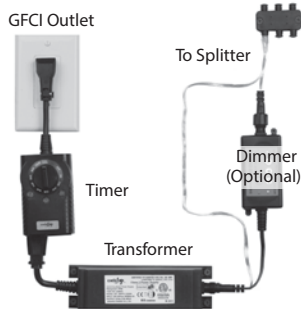
TRANSFORMER CAPACITY BY TYPE		
Type of Light	5A Transformer EZ Max Transformer	2.5A Transformer EZ Transformer
DEK-DOT™	52	31
Recessed	52	31
Post Cap*	15	9
Post Light	52	31

The list above is for maximum number of each individual types of lights. If mixing and matching lighting, contact DEKOR to determine if more than one transformer is needed. *Post Light quantity is based on all 4 sides with lights. Reference the transformer calculator at dekorlighting.com for other variations.

Planning

NOTE: Prior to installing, plan locations of lights, power supply, timer, and dimmer. These need to be accessible for service. It is required to install a GFI to help prevent damage to lights caused by electrical surges.

1. Dimmer remote works in a 30' (9 m) radius of the unit.
2. Install dimmer in a dry location.
3. You must install timer vertically with receptacle facing down. Timer must be at least 1' (.305 m) from ground level when installed as per federal safety code height regulations. To use the dusk/dawn feature the timer must be in view of the sun.

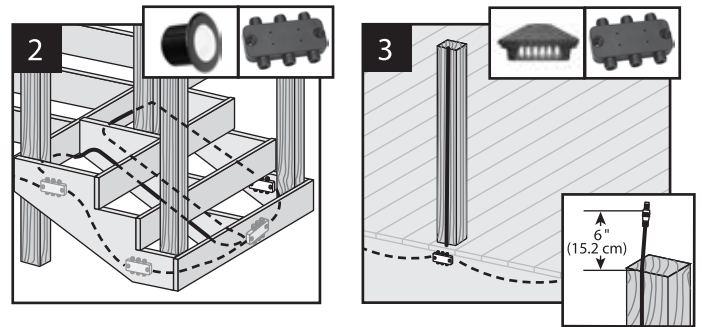
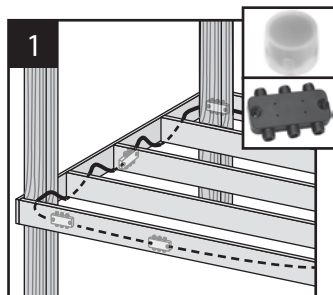


Installing Wiring

NOTE: It is best to install wiring and splitters before railing and decking have been installed.

- » Connect to each required splitter using Male-to-Male connection wire (lengths vary).

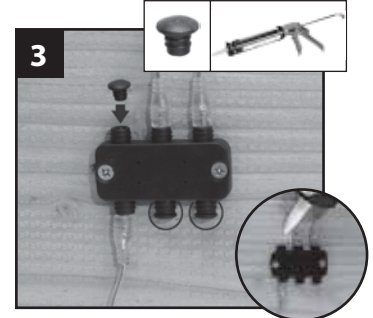
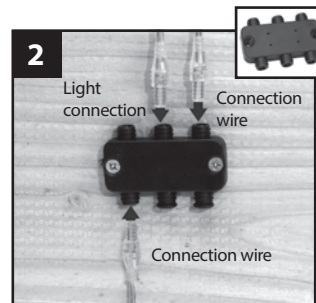
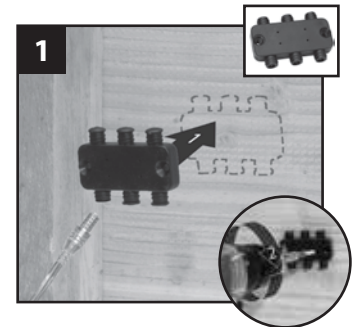
1. You must be run wiring under decking structure and behind stringers. DO NOT run wires between joists and deck boards. Use cable staples at least 1/4" (0.6 cm) wide to staple to frame. DO NOT crush wire insulation with staple.



2. Wiring can be run under deck and behind risers. Use cable staples at least 1/4" (0.6 cm) wide to staple wire to frame. DO NOT crush wire insulation with staple.
3. Remove 5' (1.52 m) lead wire that is connected to post cap. Attach wire to post with male connection at top of post (female connection at bottom of post to connect with male-to-male extension to connect into splitter). Avoid running wire on side of post where railing brackets or deck rail lights will be installed. Leave approximately 6" (15.2 cm) of lead at top to make connections. Staple to frame and posts with cable staples at least 1/4" (0.6 cm) wide. DO NOT crush wire insulation with staple.

Making Connections

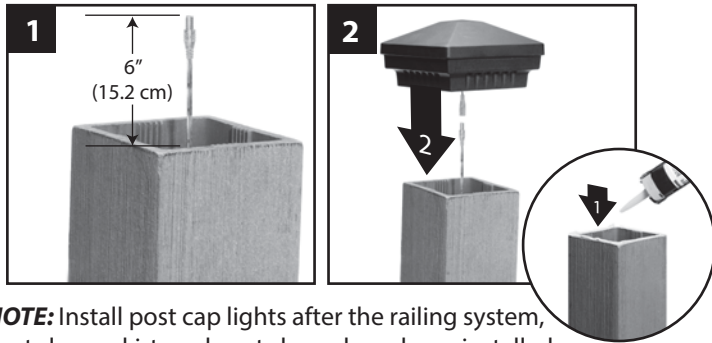
1. Using hardware provided install splitters to inside of framing. Install at every post base where lighting is present and depending on spacing in between each riser and recessed light.



2. Attach male lead from lights to female connections on splitter. Attach male-to-male connection wires in between each splitter. Continue until all wiring from lights are attached to splitters and connector wires are attached in between splitters.
3. Cap off all unused female connections on splitters using caps provided or weather-resistant silicone.

How to install DEKOR® Deck Lighting / CONTINUED

Installing Post Cap Lights



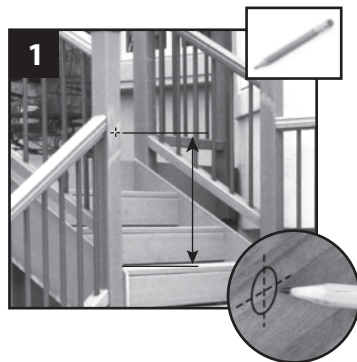
NOTE: Install post cap lights after the railing system, post sleeve skirt, and post sleeve have been installed.

1. Connect male lead from wiring to female connector from cap. Attach male-to-male connection wires in between each splitter. Continue until all wiring from lights are attached to splitters as well as connector wires are attached in between splitters. (See Making Connections section for details.)
2. Attach cap to top of post with silicone caulk after verifying wiring is correct by turning lights on.

Installing Post Lights

NOTE: Instructions shown below are for new deck installation and are shown BEFORE railing system has been installed.

1. Place post sleeve over pressure-treated post and mark desired height, centered on post sleeve for deck rail light location.



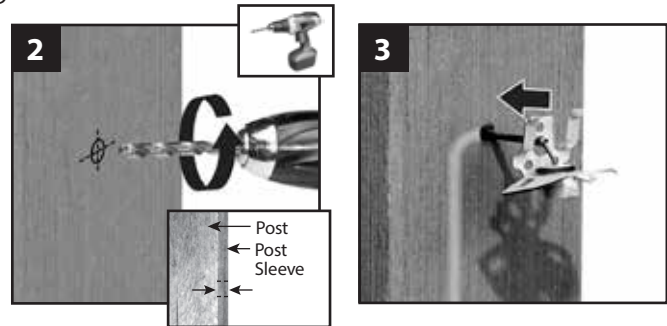
NOTE: If deck boards are not installed yet place an appropriate deck width spacer board to ensure post sleeve is at correct height.

Timer Operation Instructions

1. Select the mode of operation:
 - » Dusk to Dawn
 - » 1 - 8 hours
 - » Always "On"
 - » "Off"



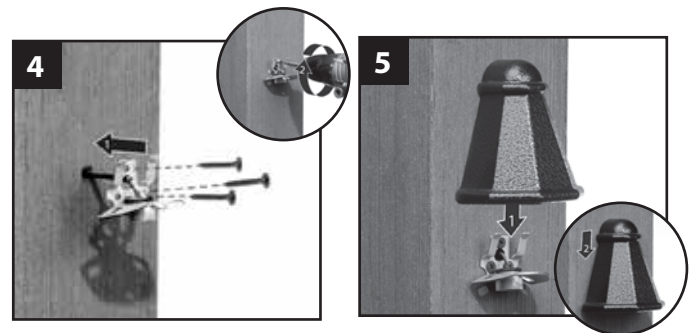
Program repeats daily. When power is flowing to lights, green light above POWER is on.



2. Drill a 3/8" (8.25mm) hole through post sleeve. Be sure to stop drill before cutting into post.

3. Remove the post sleeve from the post and fish wire from deck rail light through hole and down to female connector on splitter. Attach male-to-male connection wires in between each splitter. Continue until all wiring from lights are attached to splitters as well as connector wires are attached in between splitters. (See Making Connections section for details.)

IMPORTANT NOTE: Before attaching deck rail light to the post/post sleeve make sure decking has been installed along with skirt over the post sleeve.



4. Replace post sleeve over pressure-treated post and align holes for screws vertically and attach fixture base to post with provided screws.

5. Line up and slip on Post Light housing.

NOTE: If railing has already been installed, lead wires will need to be fished through the post sleeve to reach the desired location for the deck rail light. In some cases if the provided lead wire does not fit (due to connector size), the wire connectors can be cut off and wire nuts can be used. Test lights with the power on and if lights do not function that are wired with this method, switch the connector wires.

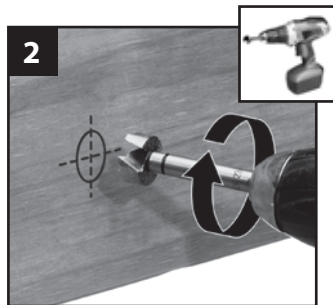
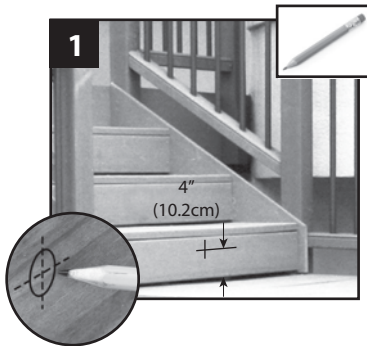
How to install DEKOR® Deck Lighting / CONTINUED

Installing Stair/Recessed Lights

NOTE: Recessed lights should be installed after stairs and risers have been installed.

1. Mark location for light, typically 4" (10.2cm), above tread. Be sure to check local codes for lighting requirements.

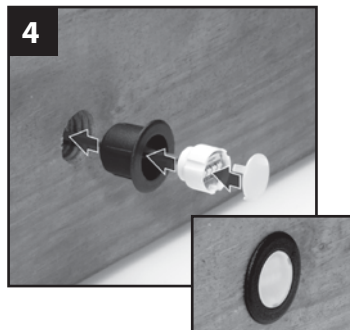
NOTE: Avoid locations over stringers when possible because it will be more difficult to drill holes.



2. Drill a .9" (23mm) diameter hole at least 1" (2.5 cm) deep into riser. If riser material is thicker than 1" (2.5 cm), use a 3/8" (8.25mm) drill bit to create a hole for wires that goes all the way through riser.

3. Thread wires through hole.

4. Press light housing into hole, then insert light and lens. Make connections behind stairs. Male lead wire from recessed light into female connection on splitter. Also attach male-to-male connection wires in between each splitter. Continue until all wiring from lights are attached to splitters and connector wires are attached in between splitters. (See Making Connections section for details.)



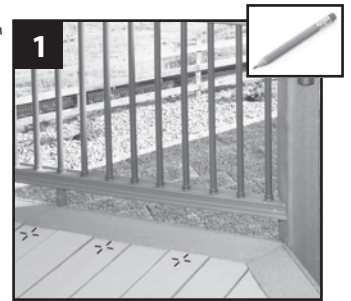
NOTE: DO NOT install Riser Light or Deck Rail Light into top or bottom rails or balusters.

Installing Recessed DEK-DOTS™ Deck Lights

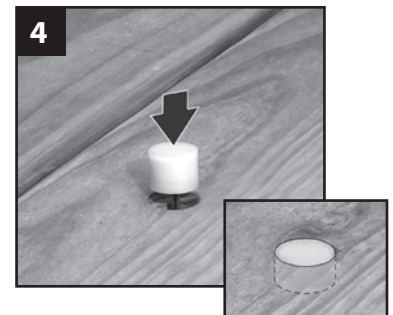
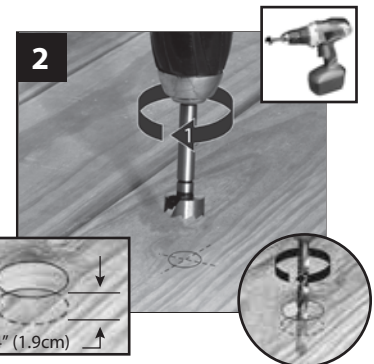
NOTE: Install recessed DEK-DOTS™ deck lights after installing decking.

1. Mark location for DEK-DOTS™ on deck boards.

NOTE: Avoid locations over joists when possible because it will be more difficult to drill holes.



2. Drill a .9" (23mm) diameter hole 3/4" (1.9 cm) deep into deck board. Make sure hole does not go all the way through deckboard or light will fall through. Drill a 3/8" (8.25mm) diameter hole in base of the first hole through deck board making sure drill bit is perpendicular to board.



3. Thread wires through hole. DO NOT pull DEK-DOT™ into hole by pulling on wires. This may damage wires or DEK-DOT™.

4. Press DEK-DOT™ into hole until flush with surface. Make connections under deck. Male lead wire from riser light into female connection on splitter. Also attach male-to-male connection wires in between each splitter. Continue until all wiring from lights are attached to splitters and connector wires are attached in between splitters. (See Making Connections section for details.)