

Stair Railing Kit Instructions

It is the responsibility of the installer to conform to local building codes and safety requirements. It is also the installer's responsibility to obtain all necessary building permits. These instructions are guidelines and do not cover every installation scenario. Separate instructions are included for railing brackets and the railing foot block. If purchasing post mounts specific instructions will be included within the packaging. Review all instructions before starting railing installation. The installer may need to modify the exact installation method to meet unique site requirements.

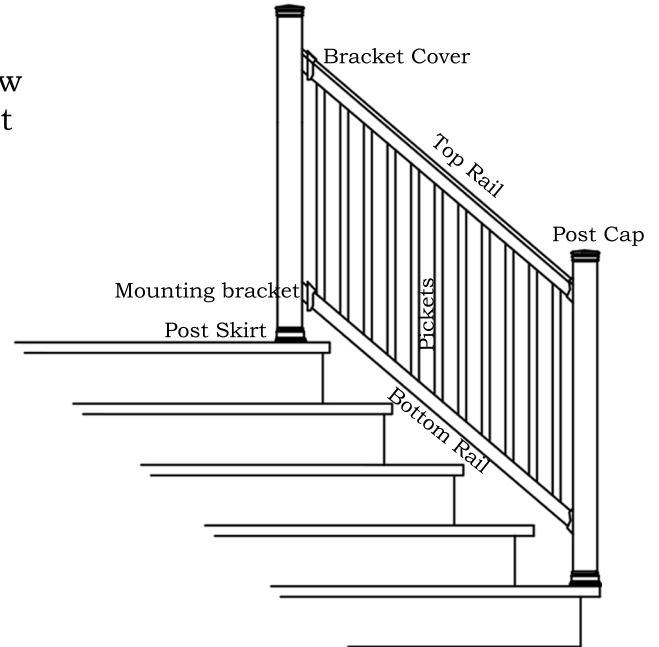
THE MANUFACTURER WILL NOT BE HELD RESPONSIBLE FOR INCORRECT OR UNSAFE INSTALLATION.

Before beginning any installation the installer must review all local building codes and use suitable safety equipment and procedures.

If cutting material for installation double check all measurements before cutting.

Some stair installation require longer posts. Test all railing sections before cutting.

Standard stair brackets can accommodate angles of 30-40 degrees.

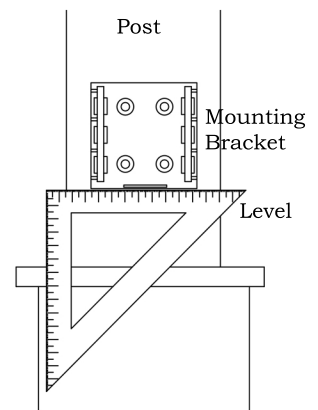


Step 1 These instructions are designed to be supplemental; review all instructions with the brackets before starting installation.

Plumb posts and install optional post skirt before installing rail mounting brackets. Determine the distance between the deck and the bottom rail based on local code (Generally 2"). Subtract 1/4" to allow for the thickness of the mounting bracket and mark the post with a pencil. Center the mounting bracket on the post and install the bottom of the mounting bracket on the drawn line. Using the provided 1-1/2" screws, fasten the mounting bracket to the post.

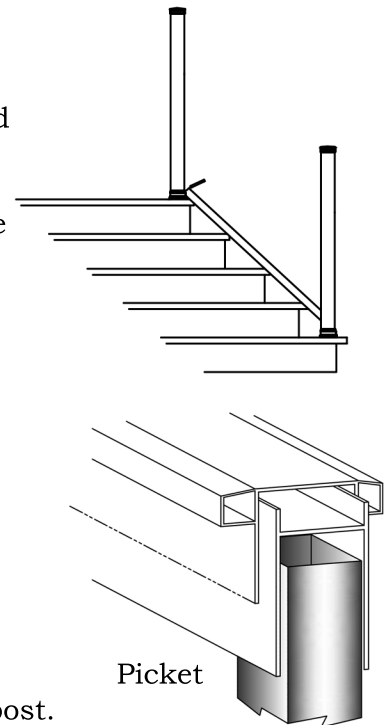
Stair installation requires the rail ends to be cut at the same angle as the stairs. Lay the bottom rail along the stairs, making sure the holes for the pickets are on the top of the rail. Use a pencil to mark the rail angle. Repeat for the top rail. Subtract 5/8" from the total length of the rails to allow for the mounting brackets. Mark the bottom and top rail to the same length, ensuring the picket holes line up before cutting the rail. Cut the vinyl rail and the aluminum insert to the same length.

This step will be repeated on the opposite post.



Notes:

- If using vinyl sleeves, it is easier to mark the mounting bracket position prior to installing them over wood posts or post mounts.
- The bracket kits include two different size screws. The 1-1/2" screws are used to install the black mounting bracket to the post. The 1" screws are used to attach the rail to the black mounting bracket.
- If you are using an optional post mount, use the 1" screws that come with the post mounting hardware to install the mounting brackets.
- While marking the angle on the bottom rail ensure the pickets are equally spaced from each post.
- A non-ferrous metal blade can be used to cut the vinyl and aluminum at the same time. Cut slowly and use all safety precautions.
- Before installing the rails, ensure the aluminum is seated into the vinyl rail properly. The large opening of the H-channel should be towards the pickets.
- If the posts are plumb, the angle should be the same for both rails. Always double check before cutting the rails.



Step 2

Slide the bracket covers over the bottom rail with the flush edges towards the post.

These cannot be installed after the rails have been secured.

Insert the bottom rail (foot block side down) into the already installed mounting brackets.

Fasten the vinyl rail to the mounting brackets using the provided 1" screws, one on each side of the rail.

This will secure the bottom rail.

Gently slide and snap the bracket covers over the rails.

Note: A small dimple on the outside of the bracket cover may be visible on some brackets. This is done in the molding process and denotes the bottom of the bracket. Make sure the dimple is installed towards the ground.

This step will be repeated on the opposite post.

Step 3

Install pickets into the bottom rail; then install the top rail onto the pickets starting at one end.

Once the top rail is seated onto the pickets properly slide the mounting bracket into position and mark it using a pencil.

Slide the rail off the pickets.

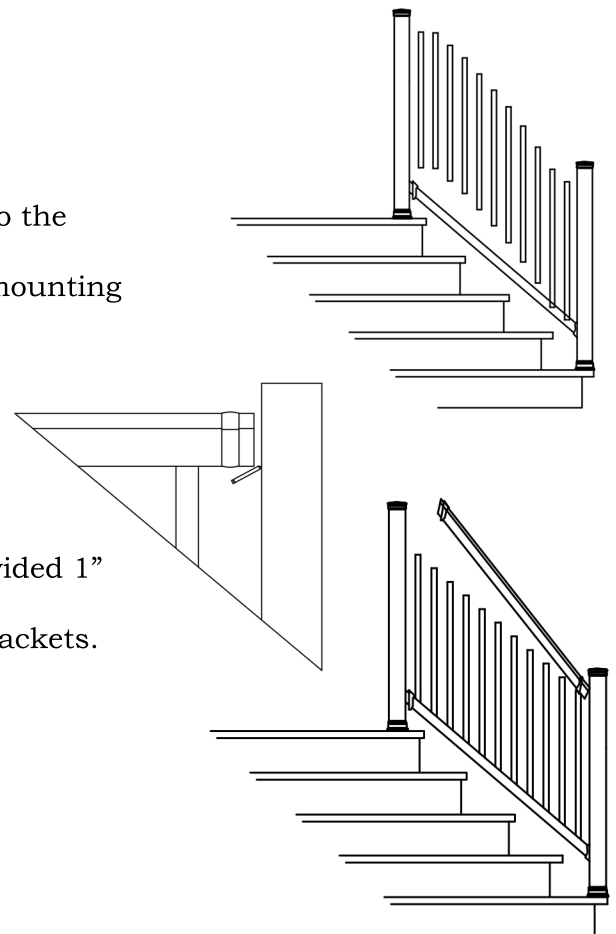
Using the provided 1-1/2" screws, fasten the mounting bracket to the post in the marked position.

Make sure the bracket covers are on before setting the top rail into place.

Set the top rail back into installed mounting brackets.

Fasten the vinyl rail into the mounting brackets using the provided 1" screws, one on each side of the rail. This will secure the rail.

Gently slide and snap the bracket covers over the mounting brackets.



If needed, alter the post height and install the post caps.