

PRO PLUG® SYSTEM for PVC

Integrated Plug System for PVC Decking and PVC Trim

STARBORN®

IDEA DRIVEN PRODUCTS

800-596-7747

starbornindustries.com



PRO PLUG PVC TOOL

No Cam-Out Auto-Stop™ mechanism prevents screw recess from stripping.

Free spinning stop collar protects the decking surface.



FASTENERS

Kits come with either 2-1/2" long Grade 305 stainless steel or 2-3/4" epoxy coated carbon steel deck screws, with a T-20 star recess.

PVC PLUGS

Made from actual PVC decking or trim material, so they match perfectly.

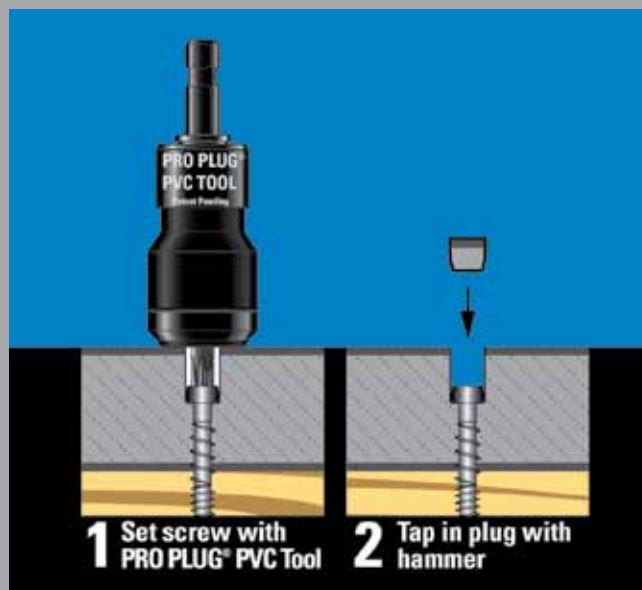
Pro Plug PVC Tool: Patent Pending

PRO PLUG® SYSTEM FOR PVC

The Pro Plug® System for PVC is a superior and easy to install plug system for PVC Decking and PVC Trim. The system consists of two components:

PRO PLUG® PVC TOOL: Drives fasteners to the correct depth every time in deck and trim applications.

PRO PLUG® PVC DECK/TRIM KIT: Plugs are made from actual PVC decking or trim material, so they will match perfectly. Fasteners are available in either Stainless Steel or Epoxy Coated Carbon Steel. Both fasteners provide superior corrosion resistance, are ACQ approved, and feature a star drive recess.



1 Set screw with PRO PLUG® PVC Tool

2 Tap in plug with hammer

PRO PLUG® SYSTEM PVC TOOL

AUTO-STOP™ MECHANISM

Once target depth is reached, the Auto-Stop™ mechanism inside the tool disengages the driver bit and stops the screw from driving further - without stripping the screw recess.

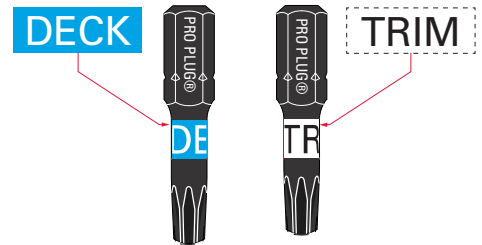
FREE SPINNING STOP COLLAR

The free spinning stop collar is fitted with a rubber O-ring to prevent damage to the work surface once the target depth is reached.



SPECIAL STAR DRIVE BITS FOR DECK AND TRIM APPLICATIONS

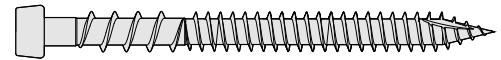
Driver bits used with the PVC Tool are replaceable. There are two types of driver bits: DECK bits and TRIM bits, each optimized for their specific application. Both PVC Tool packages and PVC Deck/Trim Kits include spare bits.



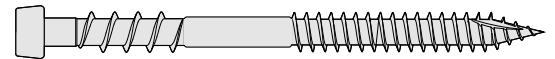
NOTE: Impact drivers may not set screws to the correct depth. Standard drills are recommended.

FASTENERS

Stainless fasteners are 10 x 2-1/2" Epoxy Coated fasteners are 10 x 2-3/4". Both fasteners are ACQ approved. When driven below the surface with the PVC Tool, both fasteners create a perfect hole for the plug, without pre-drilling.



Grade 305 Stainless Steel
#10 x 2-1/2", star drive recess



Epoxy Coated Carbon Steel
#10 x 2-3/4", star drive recess

PACKS



20 sq. ft.
50 lin. ft.
(75 pc)



100 sq. ft.
233 lin. ft.
(350 pc)



300 sq. ft.
700 lin. ft.
(1050 pc)



PVC TOOL
(for DECK and TRIM)