

durables™

Premium Vinyl Railing

Installation Guide

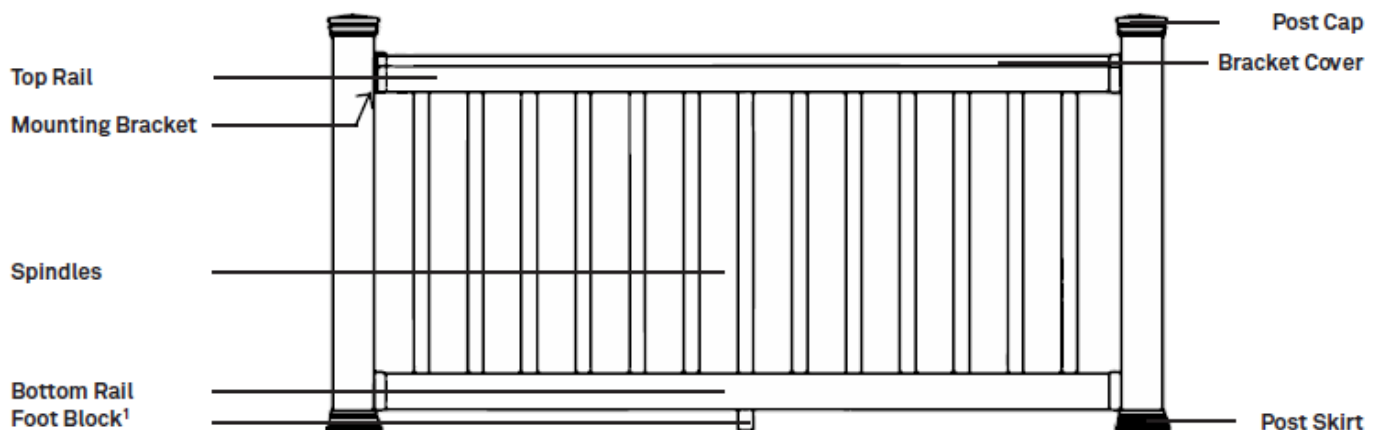
THE BEST CHOICE FOR STRONG & DURABLE RAILING SYSTEMS

Our exclusive manufacturing process ensures our vinyl railing will provide superior strength plus it is virtually maintenance free. This guide will help make your installation easy. For questions, please call 1-866-719-5782 and welcome to Durables™.

Please note:

It is the responsibility of the installer to conform to local building codes and safety requirements. It is also the installer's responsibility to obtain all necessary building permits. All of our premium straight vinyl railing sections 8' wide and shorter meet all IRC and IBC codes. Our 10' wide premium railing with a T-rail top is IRC compliant and can be IBC compliant if you replace the #10x1.5" screws provided with #10x2" stainless steel self-tapping screws (not provided).

These instructions are guidelines and do not cover every installation scenario. Separate instructions are included for railing brackets and the railing foot block. If purchasing post mounts, specific instructions will be included within the packaging. Review all instructions before starting railing installation. The installer may need to modify the exact installation method to meet unique site requirements. Durables™ or its distributors shall not be held liable for improper or unsafe installations.

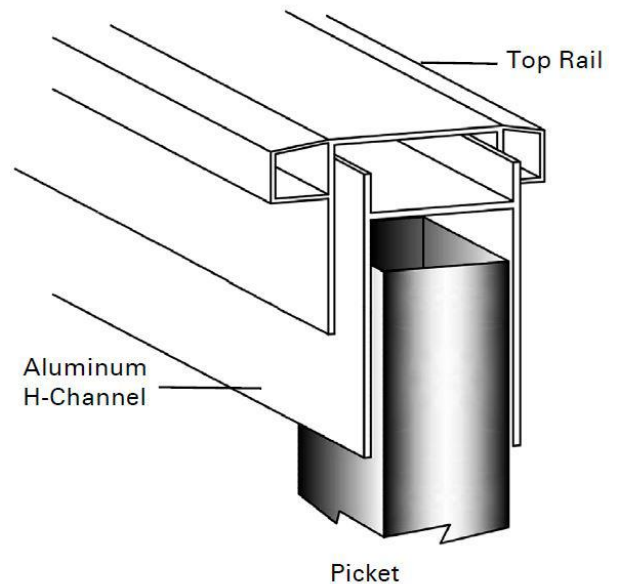


Note:

A foot block is only needed in railing kits with vinyl pickets. Kits with aluminum pickets do not require a foot block because they contain an aluminum insert in the bottom rail. 10' wide railing sections with vinyl pickets will require two foot blocks.

Installation Tips:

1. A miter saw with high tooth count carbide blade can be used to cut the vinyl and aluminum at the same time. Cut slowly and use all safety precautions.
2. Before installing the rails, ensure the aluminum is seated into the vinyl rail properly. The large opening of the H-channel should face towards the pickets.
3. The bracket kits include two different size screws. The 1-1/2" screws are used to install the black mounting bracket to the post. The 1" screws are used to attach the rail to the black mounting bracket.
4. If you are using an optional post mount, use the 1" screws that come with the post mounting hardware to install the black mounting brackets. If your installation requires that the rails be cut, be sure to double check all measurements before cutting.
5. The screws provided are self-tapping but it is helpful to pre-drill holes. After pre-drilling holes, be sure to clean any excess vinyl pieces from the post before installing the bracket.
6. To keep the brackets centered on the post, do not fully tighten screws on the post until all four screws are partially inserted into the bracket.
7. Do not overtighten the screws. When using a vinyl sleeve or vinyl wrap, there will be a small gap between the wood and vinyl. If you over tighten the screws, the vinyl will not be a flat surface and the bracket covers may not fit properly.
8. When installing the bracket covers, use the name on the tab on the interior of the bracket cover to identify the top and bottom pieces. Install the top piece of the bracket cover first.



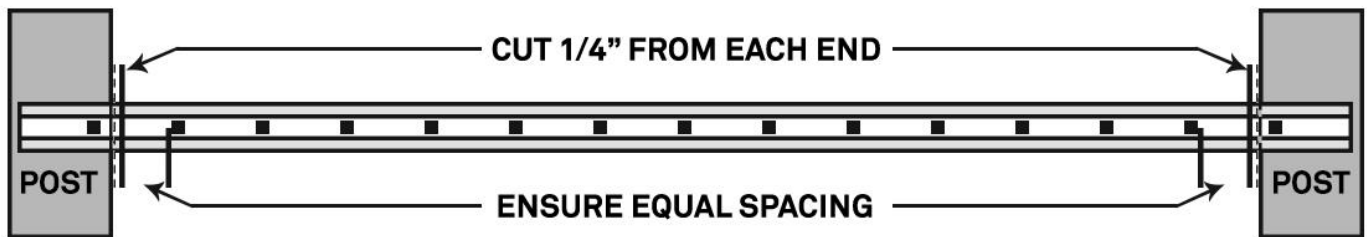
Recommended Tools:

- Safety Glasses
- Level
- Tape Measure
- Miter saw with high tooth count carbide blade
- Rubber Mallet
- Power Drill
- Phillips Drive Bit

Section 1

These instructions are designed to be supplemental; review all instructions provided with the brackets before starting installation.

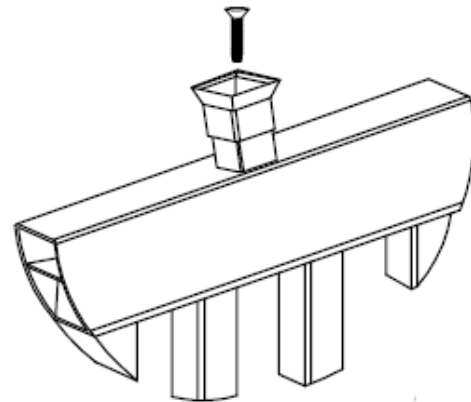
1. Level and plumb each post and install post skirt before installing railing sections. It's important that the post skirts are in place prior to installing the railing sections. Since they are one piece they cannot be added after the railing is installed.
2. Measure the distance between posts to determine the width of your rails.



3. Subtract 1/4" from each end of the rail to allow space for the mounting brackets.
Example: If you have a 72" railing section and the space between the posts is 68", you will need to cut 2 1/4" off each end of the rail.
4. If you need to shorten the width of the rails, mark the rails being sure to subtract an equal amount from each end. This will keep the pickets centered.
5. If the cut mark is on a picket hole, adjust the position of your cut lines accordingly.
6. Mark both the top and bottom rails to the same length and confirm that the picket holes line up before cutting the rail.
7. Cut the vinyl rail and the aluminum insert to the same length. Be sure to cut slowly and use all safety precautions.

Section 2

1. Determine the distance between the deck and the bottom rail. This is typically 2", which allows the finished rail height to be 36" for 36" tall railing and 42" to be 42" for our 42" tall railing.
2. If a foot block is required, center it on the bottom rail. With the foot block in its collapsed state, mount it to the bottom rail using the 1" screw provided.
3. If there is a picket hole in the center of the bottom rail, the foot block must be centered on the picket hole so the picket will not interfere with the foot block screw when the panel is assembled.
4. Center the mounting plate between the posts on the deck surface so that it is aligned with the foot block on the bottom rail.
5. Secure the mounting plate to the deck surface using the screw provided.

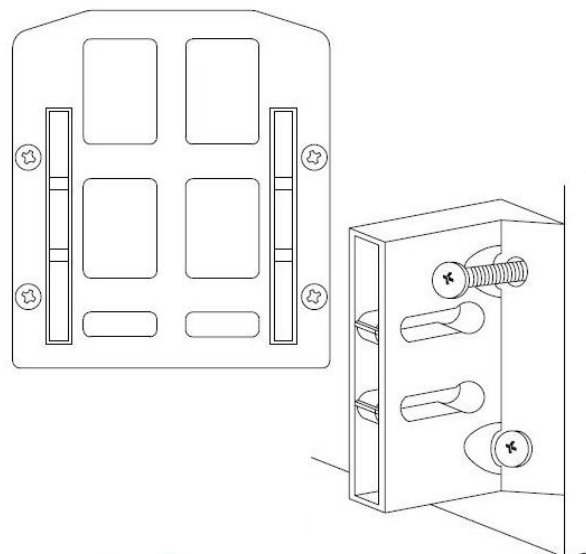


Note:

Railing styles containing aluminum pickets do not require a foot block as they contain an aluminum insert in the bottom rail. 10' sections require 2 foot blocks.

Section 3

1. Position the bottom rail between the posts, placing a 2" tall block under each side of the bottom rail to ensure the railing is installed straight.
2. Slide the black mounting brackets onto the ends of the bottom rail. Center the mounting bracket on the post.
3. Fasten the black mounting bracket to the post using the provided 1-1/2" screws, two on each side. Be sure the screw head does not extend over the side of the bracket to ensure the bracket covers fit properly. Ensure the screw shift into the divots as they are tightened.
4. Fasten the vinyl rail to the mounting brackets using the provided 1" screws, two on each side of the rail. This will secure the bottom rail.

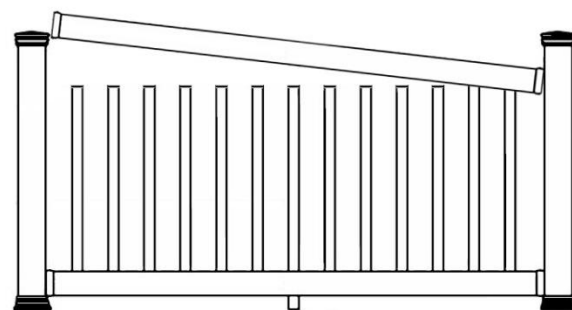
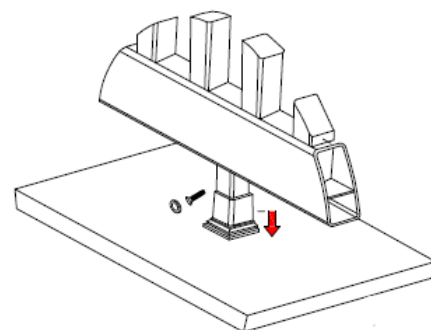


Note:

It is important that the bottom rail rests completely on the lip of the bracket so that the bracket covers snap into place properly.

Section 4

1. If your railing includes a foot block, pull down on the foot block until it sits flush with the decking surface.
2. Install the supplied screw into the side of the foot block and snap the screw cap into place
3. Insert the pickets down through the routed holes in the bottom rail.
4. Ensuring the larger opening of the aluminum H channel is facing downward toward the pickets, hold the top rail at an upward angle, and slowly line the pickets up with the routed holes in the top rail while lowering the rail into place.
5. Slide the black mounting brackets over the top rail.
6. Fasten the black mounting bracket to the post using the provided 1-1/2" screws, two on each side. Be sure the screw head does not extend over the side of the bracket to ensure the bracket covers fit properly. Ensure the screw shift into the divots as they are tightened.
7. Fasten the top rail to the mounting brackets using the provided 1" screw, two on each side of the rail. This will secure the bottom rail.



Section 5

1. Starting with the smaller portion of the bracket cover, gently slide and snap the covers into place over the black mounting brackets.
2. If needed, reduce the post height and install the post caps.

Find this on YouTube!

A helpful and more detailed video demonstrating the bracket installation can be found on YouTube, search "ThreepieceA" or scan the QR code to the right.

