



Trex® RainEscape®
SOFFIT LIGHT

INSTALLATION GUIDE



For additional information on how to install the Trex RainEscape soffit light, scan the QR code to view the installation video.

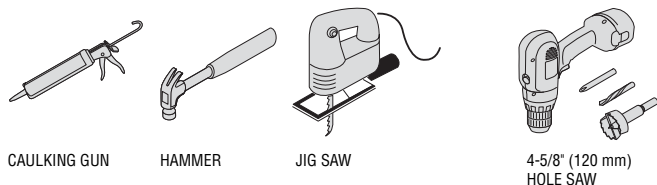
INSTALLATION GUIDE

HOW TO INSTALL TREX RAINESCAPE SOFFIT LIGHTS

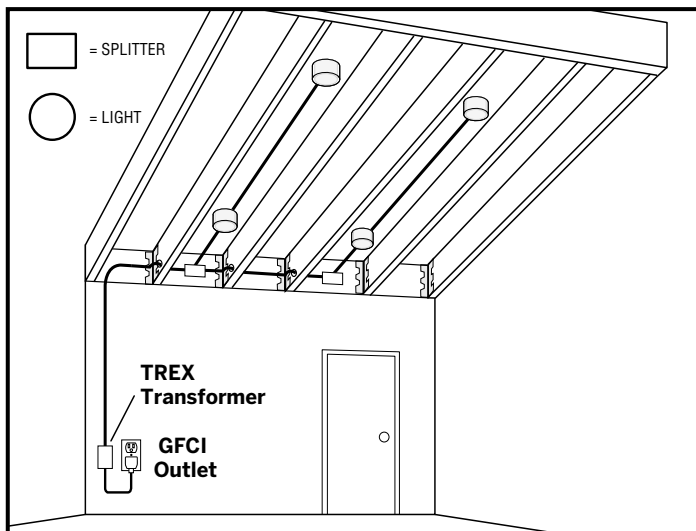
REQUIRED FOR INSTALLATION

Purchase of TREX LED Transformer, TREX Lighting Extension Wire, and TREX Transformer 6-way Splitter for operation. All sold separately.

TOOLS NEEDED



LIGHTING LAYOUT



» Space lights every 6' (1.82 m) or to desired span.

GENERAL INFORMATION

- » **ALWAYS** consult local codes before beginning a project.
- » **USE TREX TRANSFORMER ONLY.**
Use of any other transformer voids warranty.
- » Lights must be installed in a dry area.
- » Allow light to cool before removing.
- » The light requires an unobstructed cooling zone around and above the light. Under no circumstance is this 2" zone to be reduced either through insulation or construction materials.

TRANSFORMER CAPACITY BY TYPE

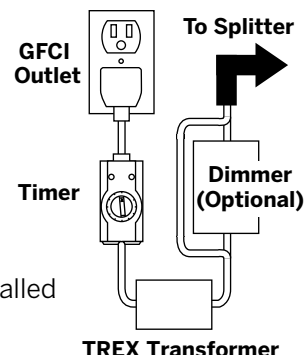
Type of Light	8.3A Transformer (83 DL TRANSFORMER)	2.5A Transformer (25 DL TRANSFORMER)
Soffit Light	23	7

Above listing is for maximum number of each individual light. If mixing and matching lighting, contact Trex to determine if more than one transformer is required.

PLANNING

NOTE: When designing your deck, plan locations of lights, power supply, timer, and dimmer. These should be accessible for service. Installing a GFCI outlet is **REQUIRED** to help prevent damage to lighting from electrical surges.

1. The dimmer remote will work in a 30' (9.1 m) radius of the unit.
2. Dimmer should be installed in a dry location.
3. Timer must be installed vertically with receptacle facing downwards. Timer must be at least 1' (.30 m) from ground level when installed as per federal safety code height regulations. Timer must be in view of the sun to use the dusk/dawn feature.



NOTE: For installations where the transformer is hardwired to an AC switch please consult a licensed electrician

INSTALLING WIRING

NOTE: It is recommended to install wiring and splitters before decking and railing is installed.

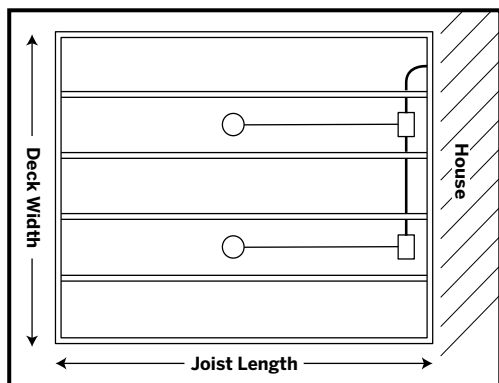
- » Use male-to-male connection wire (lengths vary) that will connect to each required splitter.
1. Wiring must be run through deck joist at desired location. **DO NOT** run wires between deck boards and joists. Staple to frame with cable staples at least 1/4" (0.6 cm) wide. **DO NOT** crush wire insulation with staple.

MEASURING

1. Measure joist length and divide by 5.
2. Measure deck width and divide by 5.
3. Take the answer from #1 and multiply by the answer of #2 = the total number of lights.

NOTE: It is better to over light your area. A dimmer switch can be added later to soften the lighting.

If you need help determining the material list, visit our material estimator at:
trexrainscape.com/materials-estimator
 or call 1-877-348-1385.

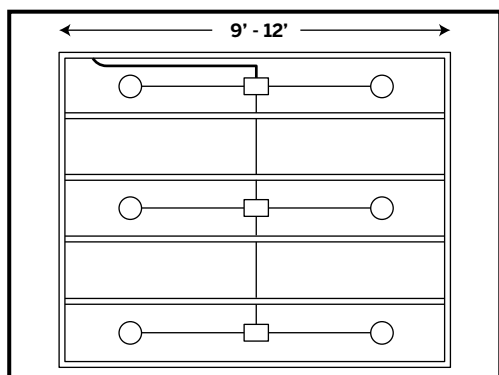


□ = SPLITTER

○ = LIGHT

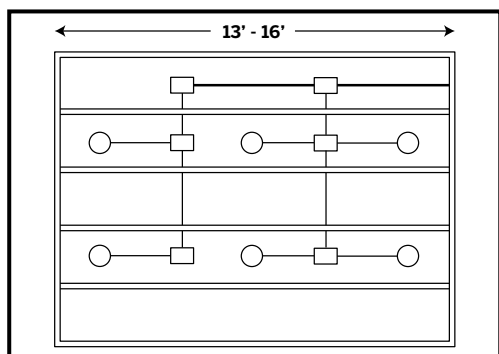
8' (2.44 m)
or less

**EXAMPLE OF A 2 ROW LIGHT INSTALLATION
FOR JOISTS BETWEEN 9' AND 12' (2.76 - 3.65 M)**



9' - 12'
(2.76 -
3.65 m)

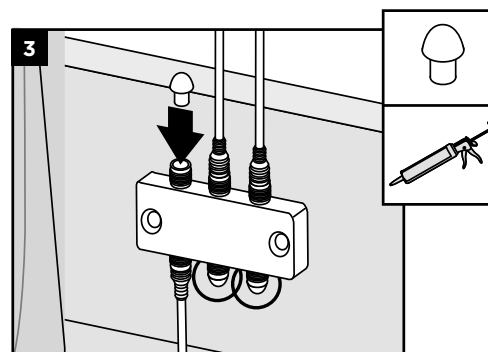
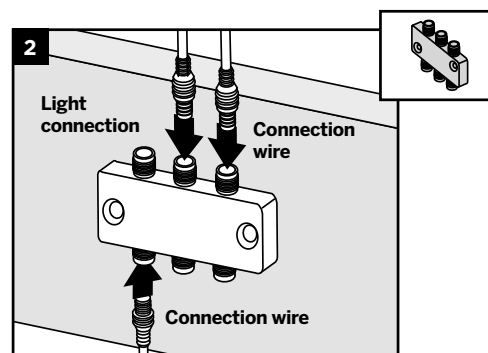
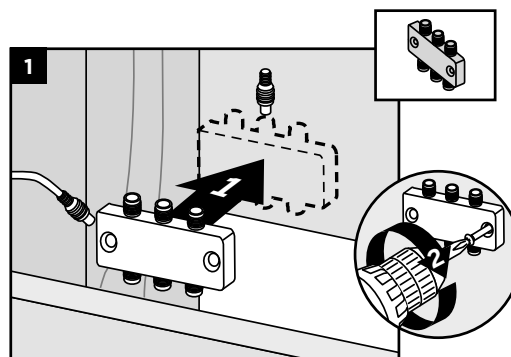
**EXAMPLE OF A 3 ROW LIGHT INSTALLATION
FOR JOISTS BETWEEN 13' AND 16' (3.96 - 4.87 M)**



13' - 16'
(3.96 -
4.87 m)

MAKING CONNECTIONS

1. Install splitters to inside of framing using hardware provided. Install a splitter at every junction where you will run a row of lights.
2. Run wire through joist and roll up 1' - 2' (0.30 m - 0.60 m) extra wire in area the light will be installed. Staple to the side of the joist (making sure not to staple through the wire).
3. Cap off all unused female connections on splitters using caps provided or weather resistant silicone.



INSTALLING THE LIGHTS

- » Install ceiling of your choice. Make sure to remember where wire end is located.
- » Mark where the light is to be installed and use 4-5/8" or 120 mm hole saw to bore hole, (a jig saw can be used instead of a hole saw).
- » Reach up through the hole and pull out wire end and attach to light.
- » Fold orange springs up and push light into opening. The springs will fold down and hold light in place.
- » If using directional feature, spin light so it shines on desired area.



Trex® RainEscape®
SOFFIT LIGHT



Scan the QR code to view the Trex RainEscape
Soffit Light installation video.

© 2021 Trex Company, Inc. All rights reserved. Trex® RainEscape® products are manufactured and sold by IBP, LLC under a Trademark License Agreement with Trex Company, Inc. RainEscape® is a federally registered trademark of IBP, LLC. A 20-year Limited Warranty is provided by the manufacturer.