

# Drink Rail Adapter Kit

Installation Instructions



1. Adaptors are made to go over top of crossover or corner crossover posts.
2. Cut Adaptor for correct length use an 80 tooth carbide blade.

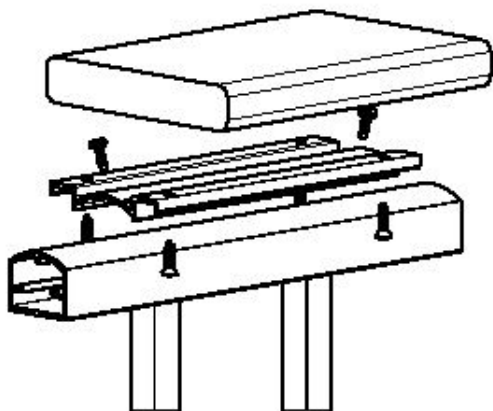
## Straight Run Application:

1. Measure for length and cut adaptor as needed.
2. Place WB adaptor over top rail of Wesbury railing.
3. Fasten adaptor with #10 x 5/8" self-tapping screws in package.
4. When all adaptor rails are attached begin installation of Drink Rail.
5. Use #10 x 3/4" screws in package to attach drink rail to adaptor

## Corner Application

1. With corner application start in corners and work out from there.
2. Take 2 adaptors and cut 1 end of each adaptor at 45 degree angle.
3. Take WB adaptor rail and place it over the top rail of Wesbury railing.
4. Make sure 45 degree angles meet well in the corner.
5. Mark adaptor rail for length and trim as needed on the straight end away from the corner.
6. Once you have proper length fasten adaptor with #10 x 5/8" self-tapping screws in package.
7. When all adaptor rails are attached begin installation of Drink Rail.
8. Use #10 x 3/4" screws in package to attach drink rail to adaptor.

**Straight**



**Corner**

