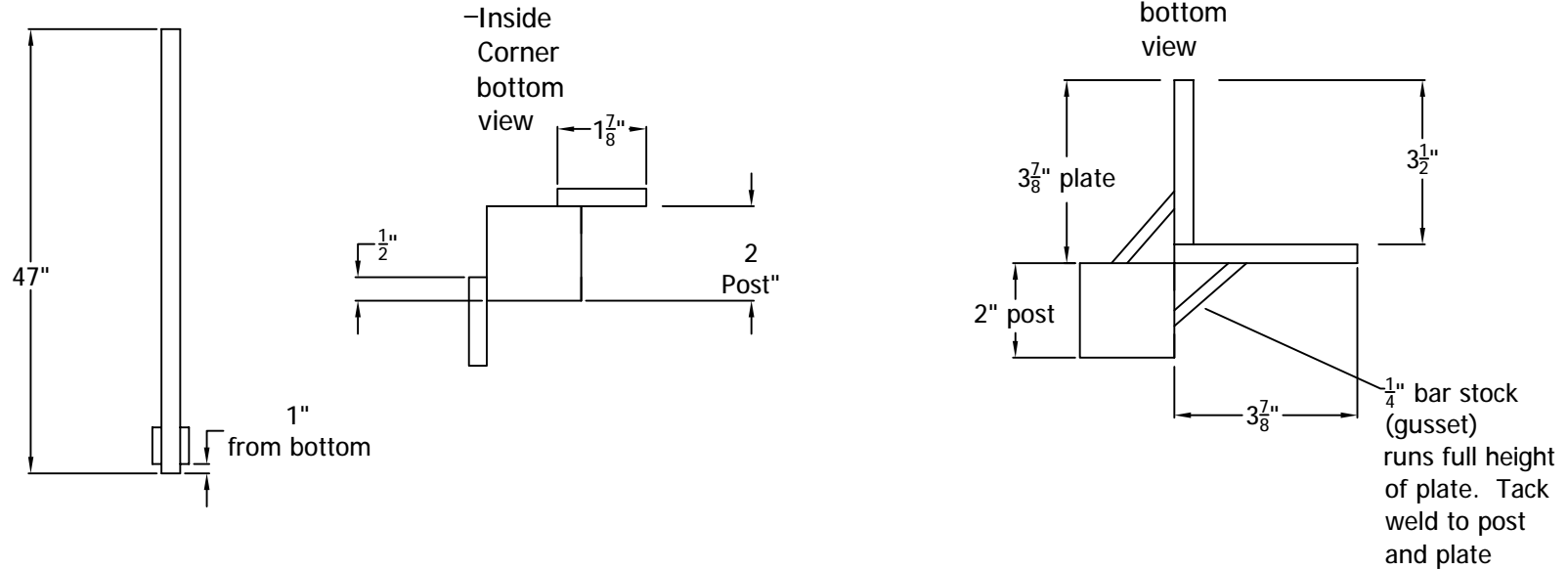


REV.	LOC.	REVISION	DATE
A		RELEASE PENDING APPROVAL	

Plates are 1" from the bottom. Plates are not adjustable.  
 This plate/post configuration is not IBC tested.  
 Check local building codes.

-Post for  
Line run

-Plate welded  
to back side  
of Post



APPROVED BY:

DATE APPROVED:

FINISH:



3446 US 6 EAST  
Bremen, IN 46506

SHEET SIZE= C	DRAWN BY: PS	PART NUMBER or STYLE: 2 x 47 WB posts with side mount plates-fascia mount
SCALE = 1":1"	DATE DRAWN: 2014-02-17	Quote requested by: Chris
STANDARD TOLERANCE: .00 ±.01 FRACTIONS: .000 ±.005 1" ANG. ±.5° ±1/8"	LOC: L:\Cad Drawings\Drawings 2014\Specials	PART NAME: Gate
FIRST USED ON:	DRAFT: 20140217-5P	SHEET of A