



6' Railing Installation Instructions

For each 6' on-center railing section, you will need:

One 6' Railing kit that contains:

- 2 rails
- 1 in-line hardware kit that contains:
 - 4 in-line brackets
 - 8 – #6 x 2" long #2 square head screws
 - 12 – #4 x 1" long #2 square head screws
- 1 support block kit that contains:
 - 1 support block
 - 2 connectors
 - 2 screws

One cap rail kit (optional) that contains:

- 1 cap rail
- 1 insert rail
- 7 – #4 x 1" long #2 square head screws

Baluster Options

Classic, Colonial or Estate baluster kits that each contain:

- 10 aluminum balusters
- 1.5 kits needed per 6' on-center railing section

Baluster connector or designer baluster connector kits that each contain:

- 20 baluster connectors
- 1.5 kits needed per 6' on-center railing section

Traditional, Baroque or Arc baluster kits that each contain:

- 10 aluminum balusters
- 40 color-matched, stainless steel screws
- 1.5 kits needed per 6' on-center railing section

Glass

- 5 glass balusters
- 20 stainless steel screws
- 9 balusters required per 6' on-center railing section

One post sleeve

One post cap for each post sleeve (sold separately)

One post base trim for each post sleeve (sold separately)

Stair rail bracket kits for stair railing sections. Two kits required per 6' on-center railing section.

Each kit contains:

- 2 stair brackets
- 4 – #6 x 2" long #2 square head screws
- 8 – #4 x 1" long #2 square head screws

Stair baluster connectors kits that each contain:

- 20 stair bracket connectors
- 1.5 kits needed per 6' on-center railing section

Items you will need

- Drill/power screwdriver
- Miter or circular saw with carbide-tipped blade
- Adjustable wrench or socket wrench for bolts, etc.
- Assorted fasteners (see instructions)
- Tape measure
- Hammer
- Marked speed square
- Carpenter's level
- Carpenter's pencil
- Safety glasses/goggles
- Two clamps
- Hack saw
- Exterior-grade construction adhesive

In-Line Railing Installation Instructions

Prior to construction, check with your local regulatory agency for special code requirements in your area. Common railing height is 36" or 42". Structural support should come from either the continuation of deck support posts that extend up through the deck floor or railing posts that are bolted to the inside of the rim or outer joists. Never span more than 6' on-center between railing posts. Install railing posts before deck boards are fastened to the joists. **Pre-drilling of all railing components is essential to successful installation. Work area should be kept clean of debris, including metal shavings that can cause scratching. Do not over-tighten screws. Read instructions completely to get an understanding of how the product goes together and how each piece affects the other.**

Step 1 Determine the number of railing posts needed for your deck. Post spacing is 6' on-center. Example: A 12x16 deck attached to a building with a 4' access opening on one side will require a total of eight posts (**Figure 2**).

Step 2 Install rail posts prior to installing deck boards. Cedar or pressure-treated pine 4x4 railing posts provide the structural strength for the railing. The length of each structural post is determined by the total of the joist width (7-1/4") + decking thickness (1") + railing height (36" or 42")=44-1/4" or 50-1/4".

Important: Do not notch the 4x4 railing posts (Figure 3a). Notching will reduce the strength of the post and could result in railing collapse or failure.

Step 3 Position, plumb with a level, and clamp the rail post on the interior face of the joist. Plumb again. The 4x4 railing post should be bolted to the inside of the joists using two 1/2"x6" galvanized carriage bolts. Corner posts use a third carriage bolt inserted through the adjacent joist (**Figure 3b**).

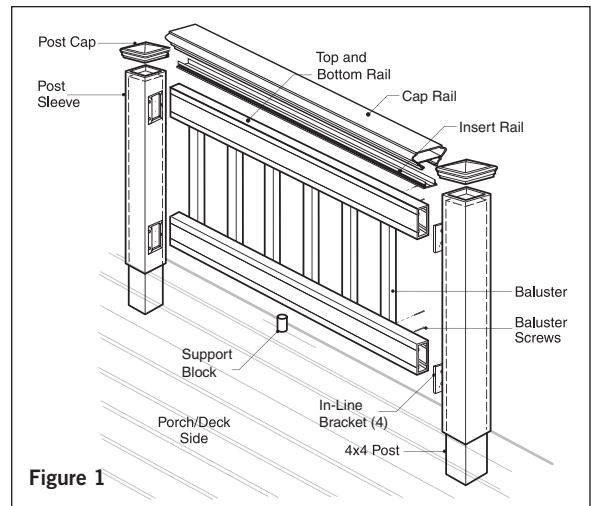


Figure 1

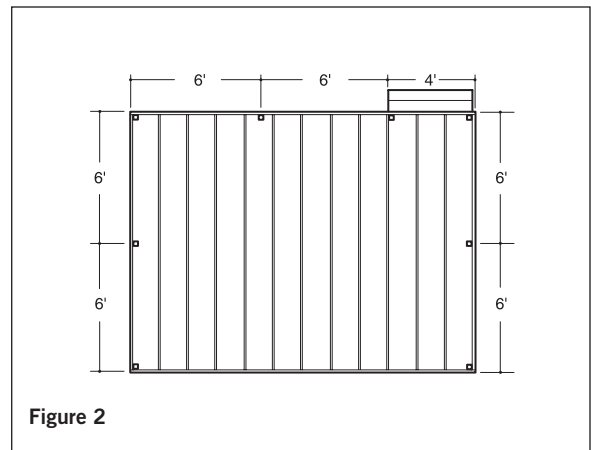


Figure 2

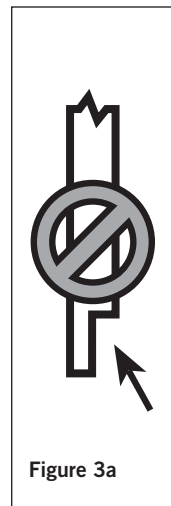


Figure 3a

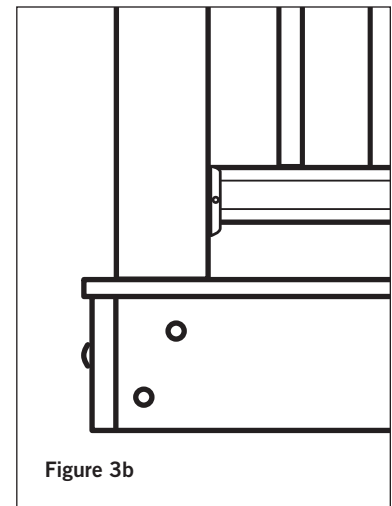


Figure 3b

Step 4 Install decking; notch deck boards to fit around the 4x4 railing posts.

Step 5 Trim 4x4 post sleeves to length. Post sleeves should be a minimum of 1-1/2" longer than the overall railing height (**Figure 4a and 4b**). Allow an additional 1-1/2" in your calculation if installing the optional cap rail. Example: For a 36" high railing, trim post sleeve to a minimum of 37-1/2" (39" with cap rail). Post sleeve can be left longer if desired.

Some wood preservatives may cause an undesirable reaction when directly in contact with aluminum. The inside of the post sleeve includes a liner to prevent direct contact with treated structural posts. If your decking is pressure-treated, place shims under the post sleeve or run a bead of caulk along the bottom edge of the post prior to installing the post sleeve. This will keep the aluminum from direct contact with the treated decking and will be concealed by the post base trim. Slide a trimmed post sleeve over each 4x4 railing post. Slide a post base trim over each post sleeve. Add a bead of caulk to the underside of the post base trim when using treated decking.

Step 6 Measure the distance between installed post sleeves to determine the length of the top and bottom rails (**Figure 1**). The distance between the post and first baluster should be less than 4" and equal on both ends (**Figure 4a and 4b**). Remove an additional 1/4" on both ends (1/2" overall) for the bracket to fit between the rail and post. Trim the top and bottom rails to length.

For angled railings, the holes in the angle wedges line up with the stair connectors. If installing a 22.5° railing, attach the stair connectors and wedges centered on the posts.

If installing a 45° rail, attach the 45° wedges centered on the posts. Attach stair connectors to the 45° wedges using the provided machine screws.

Measure the distance between the installed angle connectors to determine the length of the top and bottom rails. Cut the top and bottom rails to length.

Step 7 Determine the spacing of the balusters.

Classic, Colonial and Estate balusters: The rails are pre-drilled with the proper spacing. Attach baluster connectors to the top and bottom rails. Do not over-tighten screws. Apply silicone caulk on each connector to prevent balusters from turning or rattling after installation is complete. The caulk should be on the outside of the round connector, and on the inside of the designer baluster connectors.

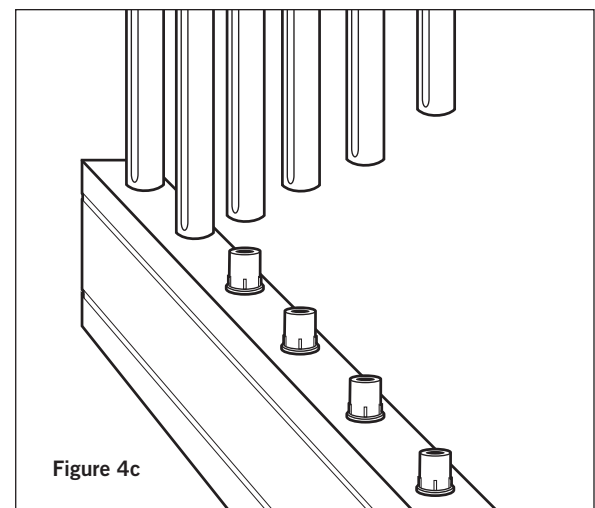
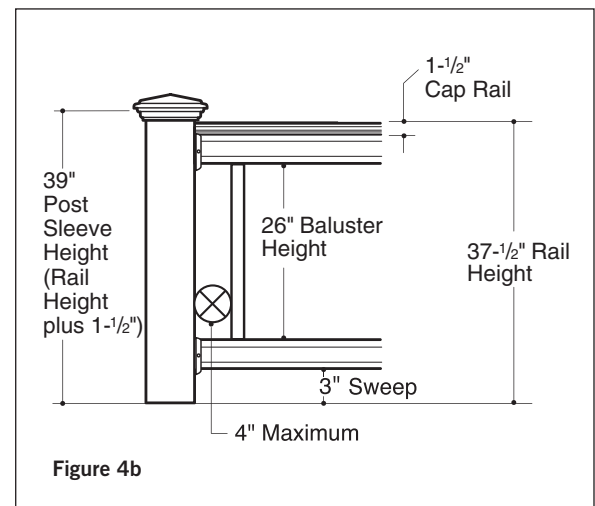
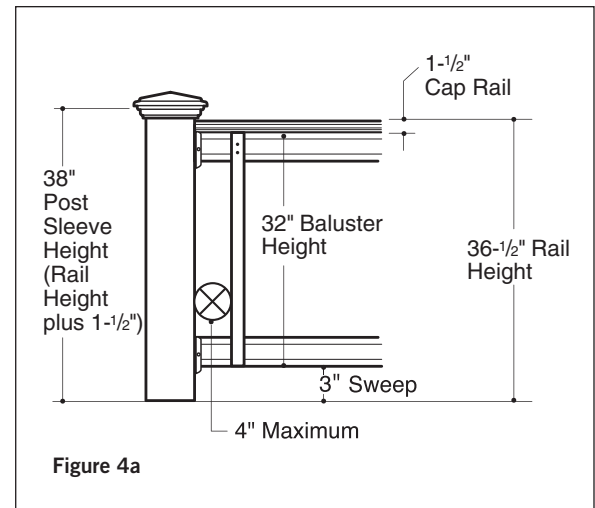
Traditional, Baroque and Arc balusters: Both top and bottom rails will be installed with the pre-drilled holes facing down to prevent water from collecting in the rail. Maximum 4-1/2" on-center and equal spacing for the end spacing. Start by finding the center of the rail. Rail length $\div 2$ = center of rail. Start the first aluminum balusters 2-1/4" on-center each side of the center line. Mark every 4-1/2" from these lines to each end. This will leave the end spacing 4" or less on both ends and require 14 aluminum balusters (**Figure 5**). Tip: Use a piece of 2x4 (3-1/2" actual) as a spacer block for the spacing between balusters.

Glass balusters: 7-1/2" on-center and equal spacing for the end spacing. Start by finding the center of the rail. Rail length $\div 2$ = center of rail. Start the first glass baluster on-center of the center line. Mark every 7-1/2" from the center line to each end. This will leave the end spacing 4" or less on both ends and require nine glass balusters. Tip: Use a piece of 2x4 (3-1/2" actual) as a spacer block for the spacing between balusters (**Figure 5**).

Step 8 Position the bottom rail between posts and center. **Check building code requirements for maximum spacing between deck surface and bottom of rail (sweep).** Spacing of 3" is recommended, but can be more or less if codes allow (**Figure 4a and 4b**). Mark the location of the bracket on both posts. Remove rail. Mark the screw locations and pre-drill through the post sleeve only, using a 1/4" drill bit. Attach each bracket to the post with two 2" long screws.

Step 9 A support block is needed at the center of each rail. Cut the support block to the proper height. Attach to the bottom of the lower rail (refer to **Figure 1**). Find the center of the rail and pre-drill using a 1/8" drill bit. Attach the support block connector using the included screw. Mark the location of the support block on the deck surface and attach the other support block connector to the deck using the included screw. Install the bottom rail between the posts. Using the brackets as a guide, pre-drill each screw hole using a 1/8" drill bit and attach each end to brackets using two 1" long screws. Tip: Use a driver extension bit to avoid marring the rail or post sleeve with the drill chuck.

Step 10 Figure 4a and 4b illustrate how a 36" high railing might be sized. If you want to have your railing at a different height, use Figure 4a and 4b as planning tools to determine the height to cut the post sleeves and support blocks. Note: Use a fixture to ensure a consistent length (+/- 1/16").



Classic, Colonial and Estate balusters: Attach balusters to the lower rail by sliding onto connectors (**Figure 4c**).

Step 11 Position the top rail between the posts. Check for level end-to-end and vertically. Mark the bracket location on post sleeve and remove rail. Mark the screw locations using the bracket as a guide, and pre-drill using a 1/4" drill bit through the post sleeve only. Attach bracket to the post with two 2" long screws at one end. Repeat for the other end.

Classic, Colonial and Estate balusters: Lower the top rail into position, placing the balusters onto the connectors while working from one end of the railing to the other. Tap with a rubber mallet if needed to eliminate any gaps. Attach the rail to each bracket by pre-drilling with a 1/8" drill bit and using three 1" long screws. Tip: Use a driver extension bit to avoid marring the rail or post sleeve with the drill chuck.

Traditional, Baroque, Arc and Glass balusters: Place the top rail in position. Attach the rail to each bracket by pre-drilling with a 1/8" drill bit and using three 1" long screws. Tip: Use a driver extension bit to avoid marring the rail or post sleeve with the drill chuck.

Step 12 Traditional, Baroque, Arc and Glass balusters: Start the first two balusters 2-1/4" on-center each side of the center of the rail and work out to each end (on-center of the center line if using glass). Using the baluster as a guide, drill 9/64" holes in the rails at each baluster location. Use a 2x4 as a spacer block to space the next baluster. Working toward the ends, drill and attach each baluster with the screws provided (**Figure 5**).

Step 13 (optional) Cut the cap rail and cap rail insert to length. (Note: the cap rail will be 1/2" longer than the top and bottom rails.) Center the cap rail insert on top of the top rail and pre-drill seven 1/8" pilot holes. Attach the cap rail insert to the top rail with seven 1/2" long screws. Apply construction adhesive to the mating edges of the insert rail. Position cap rail over the insert rail. Install by pressing down, starting from one end and working to the other until the cap rail snaps into place. Gently tap with a rubber mallet if needed.

Angled Railings: For 22.5° rails, cut the cap rail and cap rail insert to length and angle using a miter saw. Attach to the top rail following the steps above.

45° rails will require a cap rail wedge on top of the 45° adaptor (**Figure 8**). The wedge will require a straight cut on the end in contact with the post and a 22.5° cut on the opposite end. The distance from the post to the wide edge of the wedge is 1-3/4". Cut two cap rail and insert wedges using a miter saw and install to the top of the 45° adaptors following the steps above. The cap rail will require a 22.5° cut on both ends to match the width of the cap rail wedges. Measure the distance between the installed wedges and cut both ends to length and angle using a miter saw. Sand the cut ends and apply touch-up paint as needed (sold separately) to make the seam less noticeable. Attach the cap rail to the top rail following the steps above.

Step 14 Apply construction adhesive to the inside edges of the post caps and place over each post sleeve.

Stair Railing Installation Instructions

Step 1 Cedar or pressure-treated pine 4x4 railing posts provide the structural strength for the railing. The length of each structural post is determined by the total of the stair stringer width (7-1/4") + decking thickness (1") + railing height (36" or 42")=44-1/4" or 50-1/4".

Step 2 Position, plumb with a level, and clamp the rail post on the interior face of the stair stringer. Plumb again. The 4x4 railing post should be bolted to the inside of the stair stringer using two 1/2" x 6" galvanized carriage bolts. Corner posts use a third carriage bolt inserted through the adjacent joist (**refer to Figure 3b**). Ground level posts should be set in concrete.

Step 3 Complete stair tread installation prior to installing post sleeves. Trim 4x4 post sleeves to length. If using post caps, post sleeves should be a minimum of 1-1/2" longer than the overall railing height (**Figure 4**). Allow an additional 1-1/2" in your calculation if installing the optional cap rail. Example: For a 36" high railing, trim post sleeve to a minimum of 37-1/2" (39" with cap rail). Post sleeve can be left longer if desired.

Some wood preservatives may cause an undesirable reaction when directly in contact with aluminum. The inside of the post sleeve includes a liner to prevent direct contact with treated structural posts. If your decking is pressure-treated, place shims under the post sleeve or run a bead of caulk along the bottom edge of the post prior to installing the post sleeve. This will keep the aluminum from direct contact with the treated decking and will be concealed by the post base trim. Slide a trimmed post sleeve over each 4x4 railing post. Slide post base trim over each post sleeve. Add a bead of caulk to the underside of the post base trim when using treated decking.

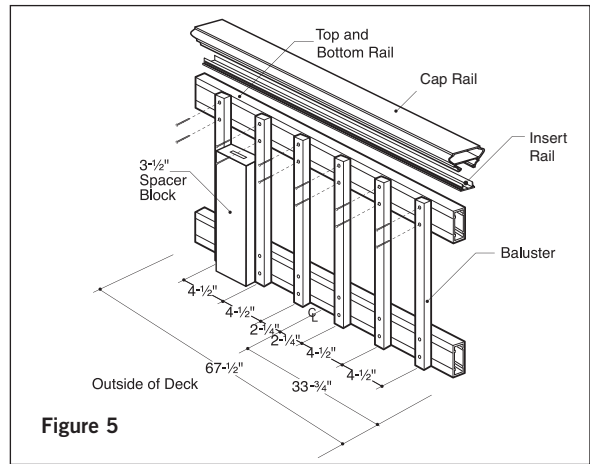


Figure 5

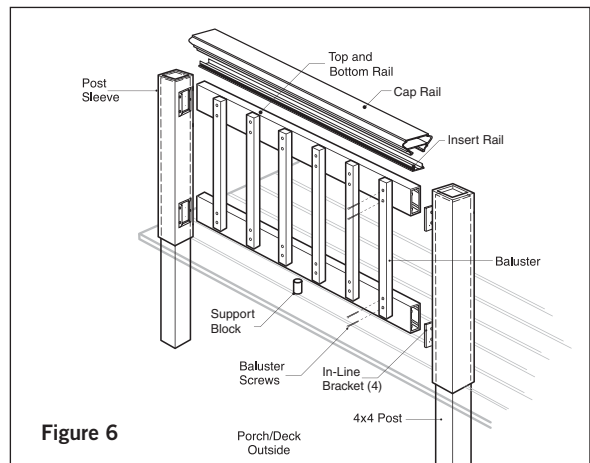


Figure 6

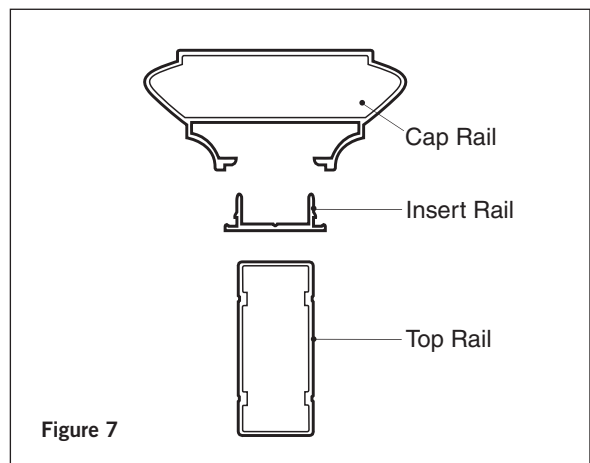


Figure 7

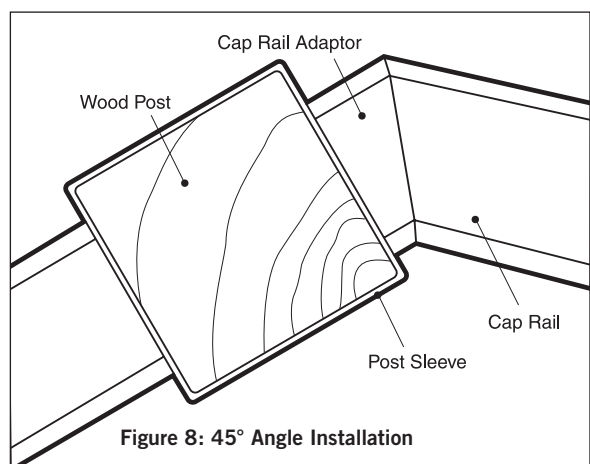


Figure 8: 45° Angle Installation

Step 4 Measure the distance between installed post sleeves to determine the length of the top and bottom rails. Lay bottom rail on stairs with the pre-drilled holes facing down. The distance between the post and first baluster should be less than 4" and equal on both ends. Mark the angle and length. Do the same with the top rail. Remove an additional 1/4" on both ends (1/2" overall) for the bracket to fit between the rail and post. Trim the top and bottom rails to length with the same angle (**Figure 9**).

Step 5 Determine the spacing of the balusters, 4-1/2" maximum on-center (7-1/2" on-center if using glass balusters), and equal spacing for the end spacing. **See Step 7 of the in-line instructions for details.**

If using Classic, Colonial or Estate balusters, use a 1/8" drill bit to open up the pre-drilled holes to the angle of the stairs. The top and bottom connectors will be facing opposite directions. Attach stair baluster connectors to the rails. Do not over-tighten screws. Apply silicone caulk on each connector to prevent balusters from turning or rattling after installation is complete. The caulk should be on the outside of the round connector and on the inside of the designer baluster connector.

Step 6 Position the bottom rail between posts and center. Check building code requirements for maximum spacing on a staircase, typically less than 6". A 6" ball cannot pass through the triangle formed by the bottom rail, tread and riser (**Figure 10**). Mark the location of the bracket on both posts. Remove rail. Mark the screw locations and pre-drill through the post sleeve only using a 1/4" drill bit. Attach each bracket to the post with two 2" long screws.

Step 7 A support block is needed at the center of each rail. Cut the support block to desired height. Attach to the bottom of the lower rail (refer to **Figure 1**). Find the center of the rail and pre-drill using a 1/8" drill bit. Attach the support block connector using the included screw. Mark the location of the support block on the step tread and attach the other support block connector to the step tread using the included screw.

Step 8 Position the bottom rail between the posts. Pre-drill with a 1/8" drill bit and attach the rail to the stair brackets using four 1" screws on both ends. Tip: Use a driver extension bit to avoid marring the rail or post sleeve with the drill chuck.

Classic, Colonial and Estate balusters: Attach balusters to the lower rail by sliding onto connectors.

Step 9 Position the top rail between the posts. Check for plumb end-to-end and vertically. Mark the bracket location on post sleeve and remove rail. Mark the screw locations using the bracket as a guide, and pre-drill using a 1/4" drill bit through the post sleeve only. Attach bracket to the post with two 2" long screws at one end. Repeat for the other end.

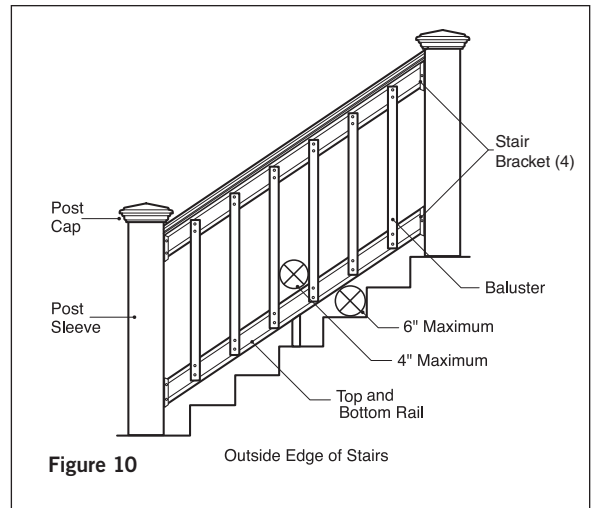
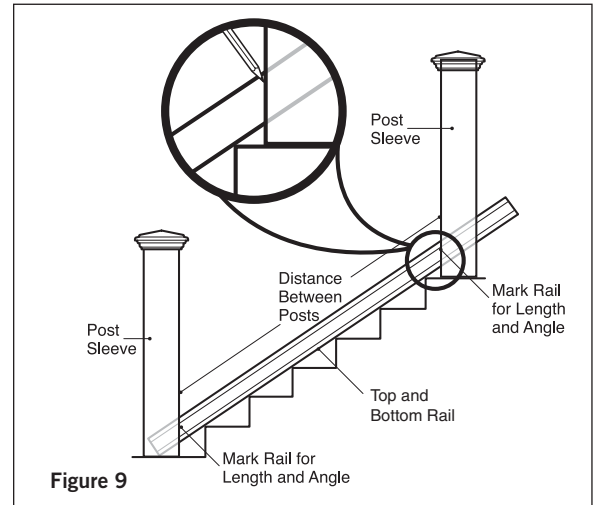
Classic, Colonial and Estate balusters: Lower the top rail into position, placing the balusters onto the stair connectors while working from one end of the railing to the other. Tap with a rubber mallet if needed to eliminate any gaps. Attach the rail to each bracket by pre-drilling with 1/8" drill bit and using four 1" screws. Tip: Use a driver extension bit to avoid marring the rail or post sleeve with the drill chuck.

Traditional, Baroque, Arc and Glass balusters: Place the top rail in position. Attach the rail to each bracket by pre-drilling with a 1/8" drill bit and using four 1" screws. Tip: Use a driver extension bit to avoid marring the rail or post sleeve with the drill chuck.

Step 10 Traditional, Baroque and Arc balusters: Place a baluster on the rails on-center of one of the marked positions (4-1/2" on-center or 7-1/2" on-center for glass). Make sure the baluster is plumb. Using the baluster as a guide, drill 9/64" holes in the top and bottom rails. Drill and attach baluster with the screws provided. Use a 2x4 spacer block to space next baluster. Drill and attach each baluster to the top and bottom rails with the screws provided. Using a pair of clamps to hold baluster in place while fastening will make this step easier (**Figure 10**).

Step 11 (optional) Cut the cap rail and cap rail insert to length (Note: the cap rail will be 1/2" longer than the top and bottom rails). Center the cap rail insert on top of the top rail and pre-drill seven 1/8" pilot holes. Attach the cap rail insert to the top rail with seven 1/2" long screws. Apply construction adhesive to the mating edges of the insert rail. Position cap rail over the insert rail. Install by pressing down, starting from one end and working to the other until the cap rail snaps into place. Gently tap with a rubber mallet if needed.

Step 12 Apply construction adhesive to the inside edges of the post caps and place over each post sleeve.



The diagrams and instructions in this brochure are for illustration purposes only and are not meant to replace a licensed professional. Any construction or use of the product must be in accordance with all local zoning and/or building codes. The consumer assumes all risks and liability associated with the construction or use of this product. The consumer or contractor should take all necessary steps to ensure the safety of everyone involved in the project, including, but not limited to, wearing the appropriate safety equipment.

Except as contained in the written limited warranty, the warrantor does not provide any other warranty, either express or implied, and shall not be liable for any damages, including consequential damages.

Decorators is a registered trademark of Universal Consumer Products, Inc. in the U.S.

www.decorators.com

©2010 Universal Forest Products
933 US Route 202
Greene, ME 04236-3466

All rights reserved.

6036 2/10

Decorators