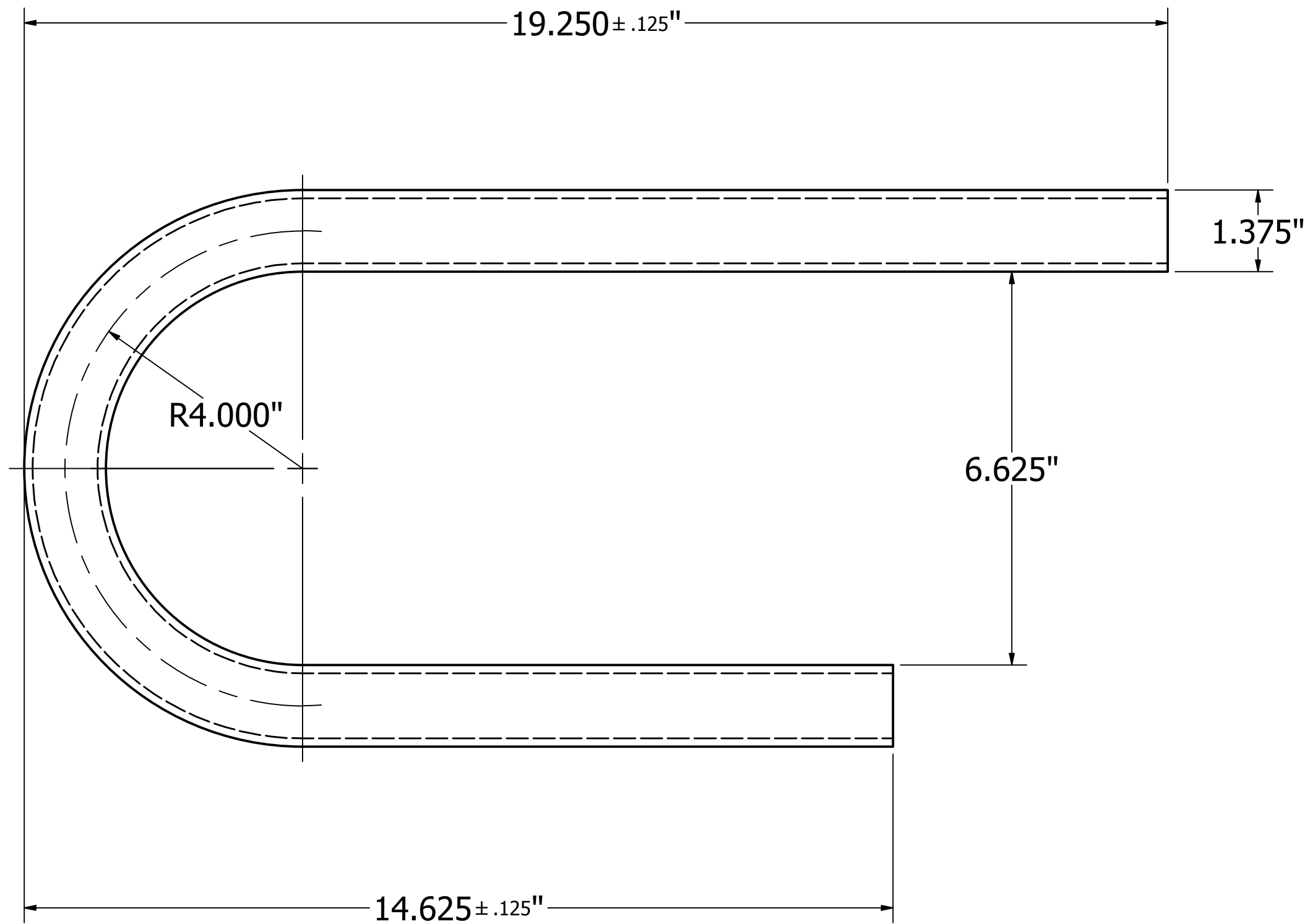
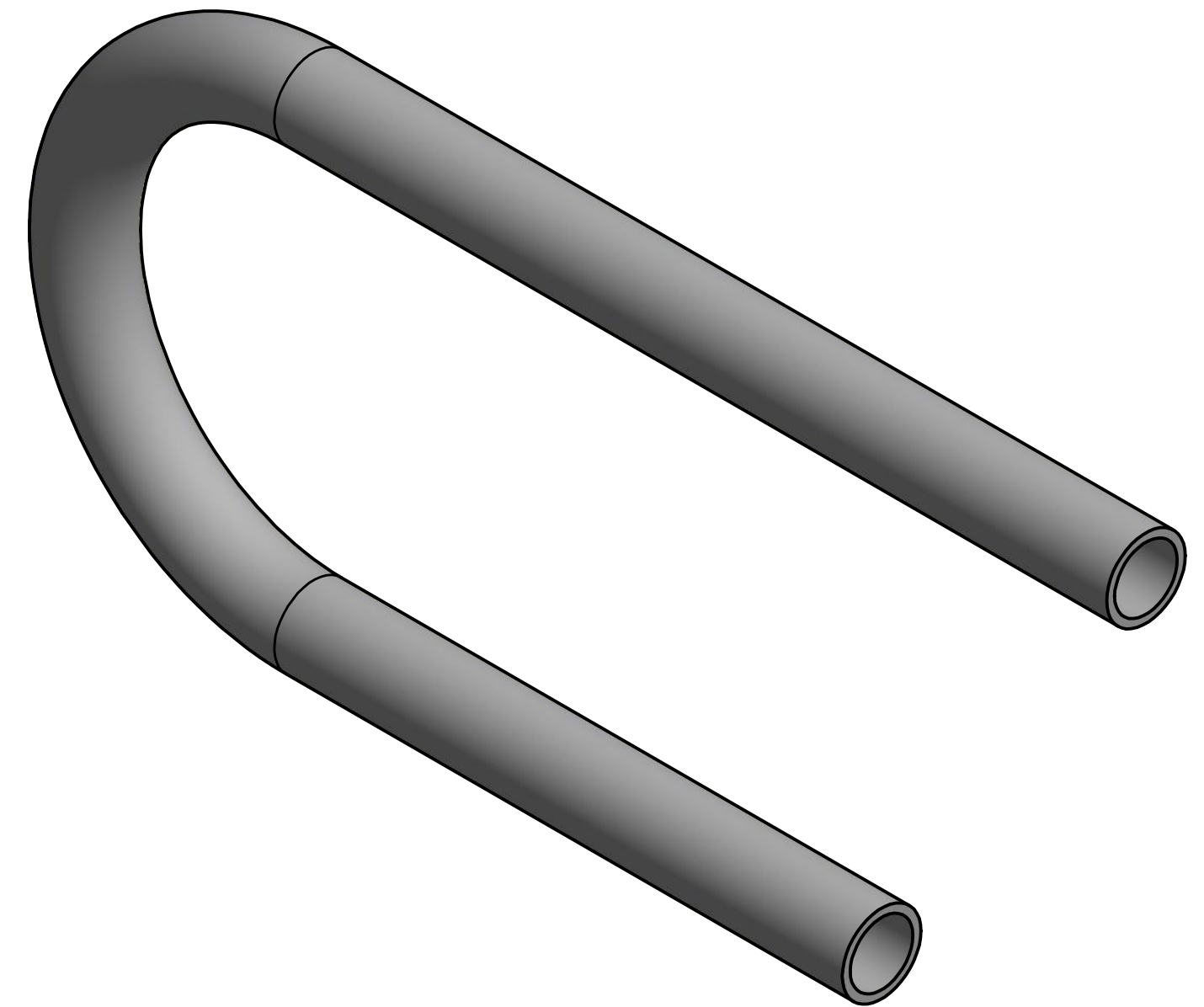



REV.	DESCRIPTION	DATE



Note:
Tube Length 37"

 DSI Digger Specialties Inc. 3446 US 6 EAST BREMEN, IN 46506 www.diggerspecialties.com	WEIGHT: 1.964 lb	DRAWN BY: CM	MATERIAL:	
	STANDARD TOLERANCE: .00 \ .01 .000 \ .005 ANG. \ .5~	DATE DRAWN: 10/8/2019	Aluminum 6063-T52	
	FRACTIONS: $\pm \frac{1}{16}$	DRAFT NO. 20191008-3C	PART NAME: 72097 Tube 180°.idw	
	FILE LOC: Z:\Aluminum\Components\Continuous Handrail\72097 Tube 180°.idw		PART NUMBER: 72097	REV.