

New Fascia Bracket & Post Installation Guide

Step 1: Determine post position based on overall deck dimensions.

Note 1: Distance between railing posts should never exceed 6 ft.

Note 2: When using fascia mounted railings on deck, it is recommended that you use fascia mounted rail on stairs. Install stair posts first to determine position of first deck post.

Step 2: At post location place a level or straight edge over deck edge and bring top of fascia bracket baseplate up to the underside of level or straight edge. This will determine the correct height of the fascia bracket. Holding the bracket level, mark through mounting holes onto fascia board with pen or pencil. Pre-drill one of the upper marked holes and attach fascia bracket to fascia board with fastener.

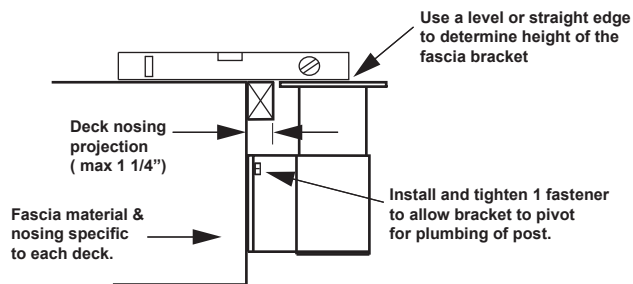
Step 3: Secure Century post to fascia bracket baseplate with 4 - 5/16" x 1" bolts and nyloc nuts (supplied)

Note: Lubricate threads on bolt before installing nut.

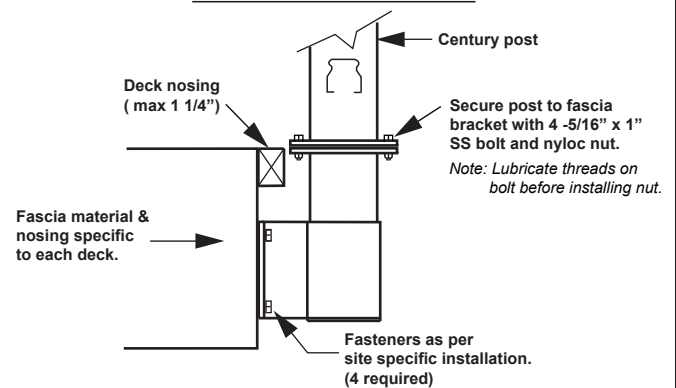
Plumb post in both directions and install remaining 3 fasteners. Install baseplate cover to conceal post baseplate bolts. (optional)

Note: The same procedures are to be used for Century picket, glass and Scenic Series 10mm glass systems

Setting Height of Fascia Bracket



Attach Post to Fascia Bracket



Fascia Mount Support Leg Installation Instructions

Step 1: After the railing is installed, determine location of support leg to be installed. (support legs sold separately)

Evenly space support legs in railing section as indicated below

- For 4' sections, 1 support leg is required evenly spaced between posts.

- For 6' sections, 2 support legs are required evenly spaced between posts.

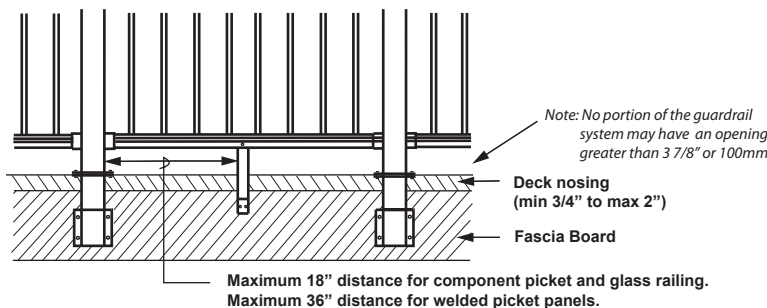
Note: For component picket and glass railing, distance between support leg and posts or second support leg should never exceed 18". For welded picket panels, support leg spacing should not exceed 36" (see support leg placement detail)

Step 2: After determining support leg position fasten to fascia board using 2 - #12 x 2" screws (supplied).

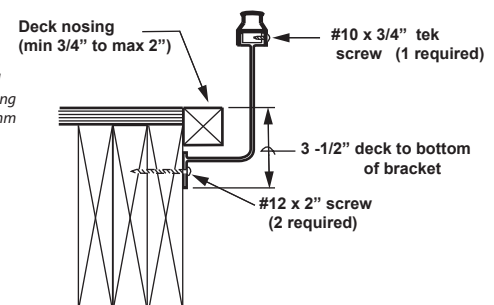
Note: Bottom rail should be resting on support bracket. Distance between bottom of support leg bracket and top edge of deck should be 3 - 1/2" (see support leg connection detail)

Step 3: Fasten support leg to bottom rail using 1 - #10 x 3/4" tek screw. (see support leg connection detail)

Support Leg Placement



Support Leg Connection



Note: Always check your local building code prior to installation

Instructional video available on our website centuryaluminuminc.com

9685 Agur St. Summerland, British Columbia, V0H 1Z2

Phone (778) 516-6250 * Fax (778) 516-6003 * Toll Free 1-888-493-1103 * Web www.centuryaluminuminc.com