

TREX® ROD RAIL HORIZONTAL RAILING

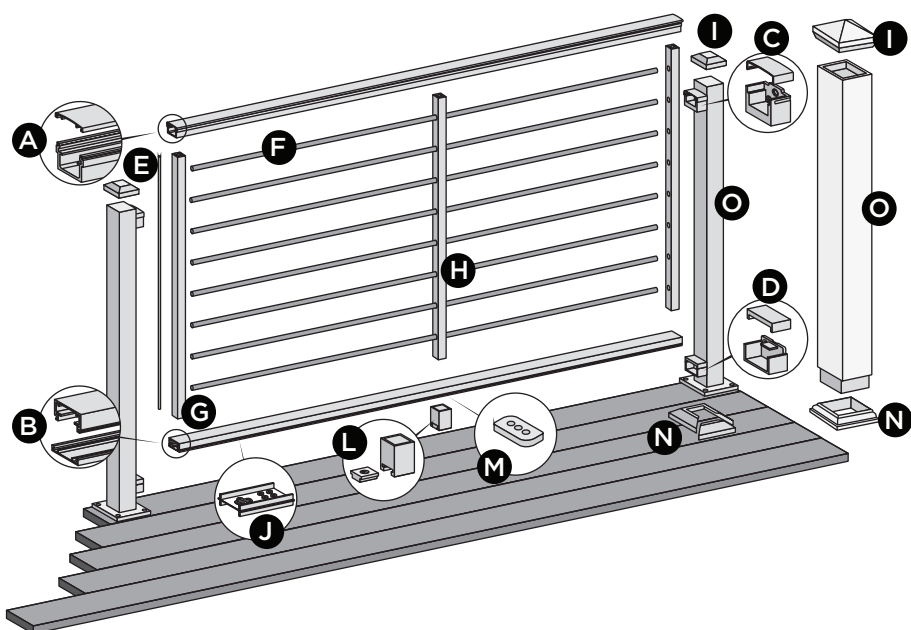
Installation Instructions



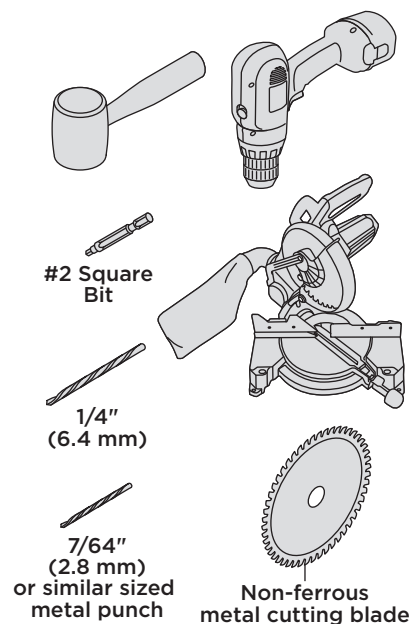
NOTES:

- » Adjust drill power to lowest setting that will drive screw. **DO NOT OVER TORQUE 316 STAINLESS STEEL STAINLESS FASTENERS.**
- » **NEVER** use impact tools on 316 Stainless Steel Fasteners.
- » Be careful inserting rods through intermediate vertical supports. Lay pieces on a flat, solid surface and insert as straight as possible to prevent scratching.
- » When marking lines on bottom rail, do not make a mark wider than 1" or it will be visible after installation.
- » **TOP AND BOTTOM RAILS ARE DIFFERENT LENGTHS, TO ACCOMMODATE THE INSTALLATION OF CROSSOVER POST APPLICATIONS.**
- » **ALL ROD RAILS OVER 6' WILL REQUIRE THE USE OF A FOOT BLOCK, THUS THESE RAILING SPANS MUST BE INSTALLED OVER THE DECKING FRAME OR ON INSIDE OF RIM JOIST.**

PARTS



TOOLS NEEDED



- A. Trex Signature top rail and crowned cover
 - 6' (actual length 73-1/2" [1867 mm])
 - 8' (actual length 97-1/2" [2477 mm])
- B. Trex Signature bottom rail and flat cover
 - 6' (actual length 71-1/2" [181.6 cm])
 - 8' (actual length 95-1/2" [242.6 cm])
- C. Trex Signature upper rail bracket and cover
- D. Trex Signature lower rail bracket and cover
- E. Anti-rattle strip
- F. Rod
- G. End vertical support
- H. Intermediate vertical support
 - Note:** 1 for 6' span/2 for 8' span
- I. Trex Signature post cap or post sleeve cap**
- J. Template
- L. Trex Signature foot block****

- M. HZ spacer
- N. Trex Signature post skirt or post sleeve skirt**
- O. Trex Signature post
 - 36" (actual length 37" [94.0 cm])
 - 42" (actual length 43" [109.2 cm])
 - or** Trex 4" x 4" post sleeve**
 - 36" (actual length 39" [99.1 cm])
 - 42" (actual length 45" [114.3 cm])

** Item not included in Trex Signature Railing kits. Both 4" x 4" (10.2 cm x 10.2 cm) and 6" x 6" (15.2 cm x 15.2 cm) post sleeves are designed to fit over 4" x 4" pressure-treated post.

*** For 8' Rail Sections only - RODRAILSTIFFENER (included with kit), not shown above

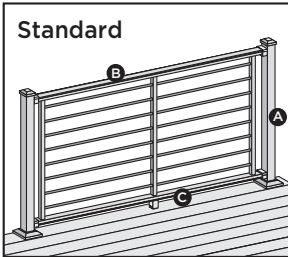
****Foot block required for all spans greater than 6'

TREX® ROD RAIL HORIZONTAL RAILING

Installation Instructions

RAILING CONFIGURATIONS

Note: See specific installation instructions for attachment of Trex post mounts or Trex Joist Mount Posts prior to installing any railing.

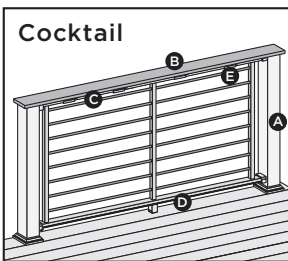


Standard

Cutting posts/post sleeves is **NOT** required.

- A. Trex Signature post, pressure-treated post or Trex Post Mounts with Trex post sleeves, or Trex Joist Mount Posts
- B. Trex Signature top rail
- C. Trex Signature bottom rail

See page 6 for "How to Install Standard Rod Railing".



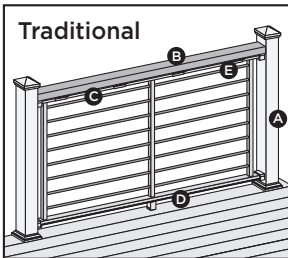
Cocktail

Post sleeves will need to be cut.

- A. Pressure-treated post with Trex post sleeve
NOTE: » Only for use with 4" x 4" (102 mm x 102 mm) post sleeve.
» Trex Signature Posts, Trex Post Mounts or Joist Mount Posts cannot be used with Trex Signature Cocktail design.
- B. Deck board top rail. **NOTE:** Enhance cannot be used.
- C. Trex Signature top rail
- D. Trex Signature bottom rail
- E. Trex Signature Cocktail Rail Bracket**

See page 10 for "How to Install Rod Rail Cocktail Railing".

POST SLEEVES WILL NEED TO BE CUT



Traditional

Cutting posts/post sleeves is Not required.

- A. Pressure-treated post, Trex Post Mounts or Trex Joist Mount Post WITH Trex post sleeves.
NOTE: » Trex Signature Posts or Trex Signature Joist Mount Posts cannot be used.
- B. 2 x 4 lateral top rail
- C. Trex Signature top rail
- D. Trex Signature bottom rail
- E. Trex Signature Cocktail Rail Bracket**

See page 12 for "How to Install Rod Rail Traditional Railing".

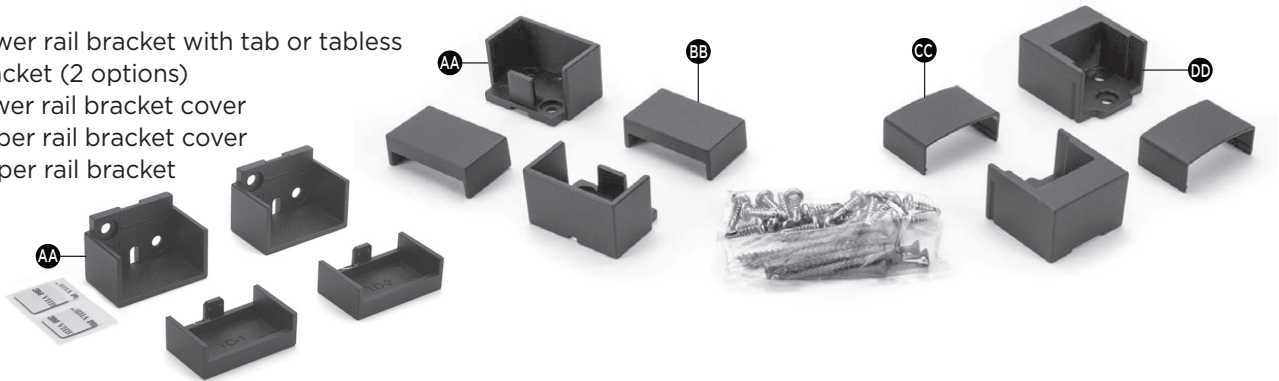
» **NOTES:** For Signature post or pressure-treated post with post sleeve installations refer To Signature Post Installation Instructions.

** Trex Signature Cocktail Rail brackets (sold separately) are for use with either Trex Rod Rail Traditional or Trex Rod Rail Cocktail designs. For a 6' section, use 4 brackets and screws provided, for 8' section, use 5 brackets and screws provided.

BRACKET HARDWARE - HORIZONTAL APPLICATIONS (INCLUDING HORIZONTAL SWIVEL BRACKETS) TREX SIGNATURE®

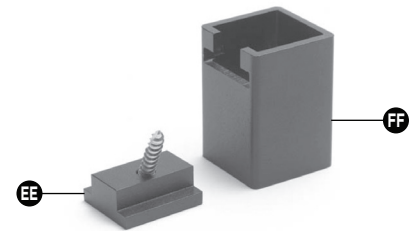
HORIZONTAL RAILING HARDWARE

- AA. Lower rail bracket with tab or tabless bracket (2 options)
- BB. Lower rail bracket cover
- CC. Upper rail bracket cover
- DD. Upper rail bracket



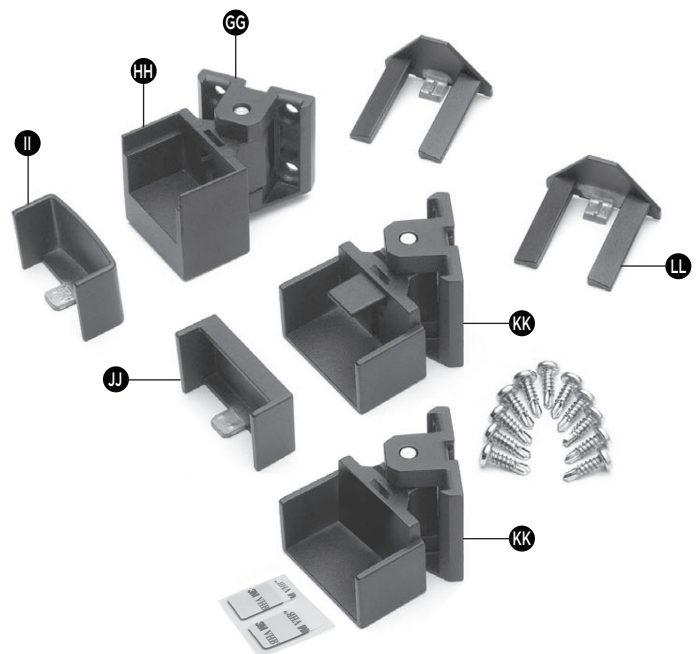
FOOT BLOCK COMPONENTS

- EE. Foot block base
- FF. Foot block support



HORIZONTAL SWIVEL HARDWARE

- GG. Swivel base
- HH. Horizontal swivel bracket top rail
- II. Horizontal swivel bracket top rail cover
- JJ. Horizontal swivel bracket bottom rail cover
- KK. Horizontal swivel bracket bottom rail with tab or tabless bracket (2 options)
- LL. Swivel base cover



TREX® ROD RAIL HORIZONTAL RAILING

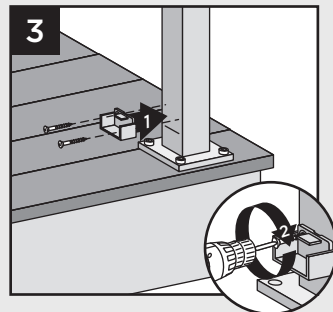
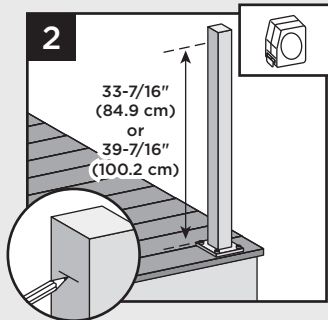
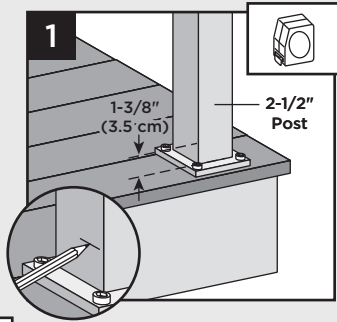
Installation Instructions

HOW TO INSTALL HORIZONTAL ROD RAILING BRACKETS TREX SIGNATURE®

Attach Brackets Using Trex Signature Posts

TIP: Use a clamp to help hold brackets in place while fastening with screws.

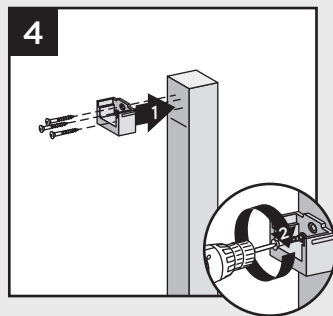
1. Measure 1-3/8" (3.5 cm) from top of post base plate or 1-7/8" (4.8 cm) from decking surface. Mark with light line.



2. Measure up from post base plate 33-7/16" (84.9 cm) for 36" (92 cm) rail height or 39-7/16" (100.2 cm) for 42" (107 cm) rail height. Mark with light line.

NOTE: If measuring from decking surface, measure up 33-15/16" (86.2 cm) for 36" (92 cm) rail height or 39-15/16" (101.4 cm) for 42" (107 cm) rail height.

3. Center lower bracket on post **above** the marked line and attach using two self-tapping screws (provided).
4. Center upper bracket on post **above** marked line and attach using (3) self-tapping screws (provided).

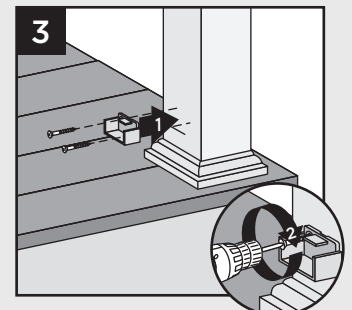
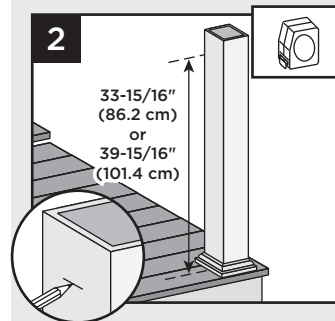
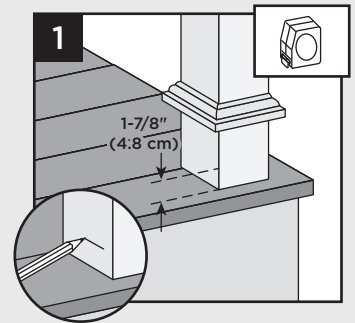


NOTE: Upper bracket is not required on crossover post configuration.

Attach Brackets Using Pressure-Treated Posts and Post Sleeves

TIP: Use a clamp to help hold brackets in place while fastening with screws.

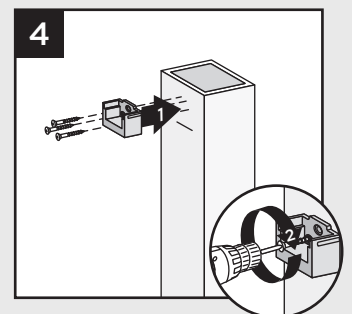
1. Measure 1-7/8" (4.8 cm) up from deck surface to bottom of bracket. Slide skirt up to allow for proper measurement. Mark with light line.



2. Measure up from decking surface 33-15/16" (86.2 cm) for 36" (92 cm) rail height or 39-15/16" (101.4 cm) for 42" (107 cm) rail height. Mark with light line.

NOTE: Push skirt back down onto surface of decking **BEFORE ATTACHING BRACKETS.**

3. Center lower bracket on post **above** the marked line and attach using two 2" (51 mm) wood screws (provided).
4. Center upper bracket on post **above** marked line and attach using three 2" (51 cm) wood screws (provided).

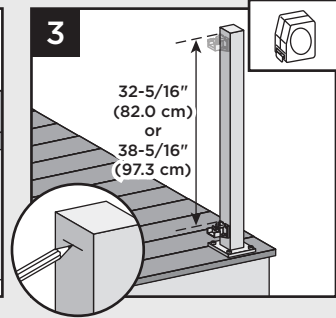
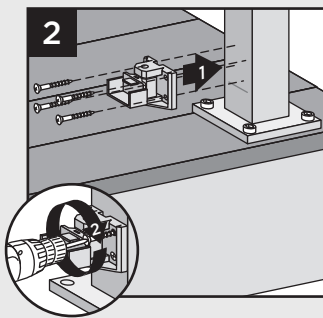
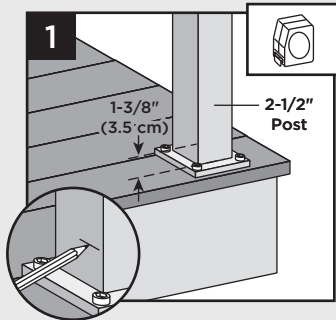


HOW TO INSTALL HORIZONTAL ROD RAILING SWIVEL BRACKETS TREX SIGNATURE®

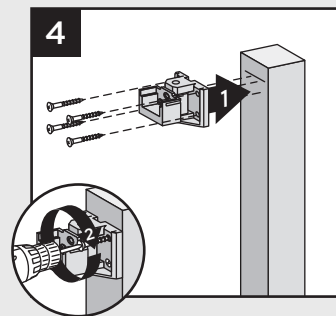
Attach Swivel Brackets Base Using Trex Signature Posts

TIP: Use a clamp to help hold brackets in place while fastening with screws.

1. Measure 1-3/8" (3.5 cm) from top of post base plate or 1-7/8" (4.8 cm) from decking surface. Mark with light line.



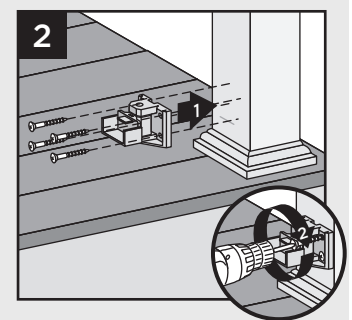
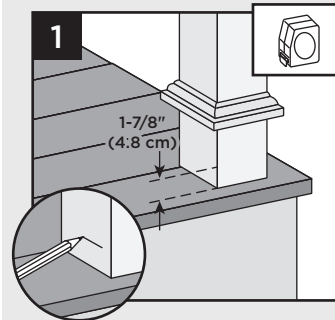
2. Center lower bracket on post **above** the marked line and attach using four self-tapping screws (*provided*).
3. Measure up 32-5/16" (82.0 cm) for 36" (91.4 cm) tall railing or 38-5/16" (97.3 cm) for 42" (106.7 cm) tall railing from top of lower rail bracket. Mark with a light line.
4. Center upper bracket on post **below** marked line and attach using four self-tapping screws (*provided*).



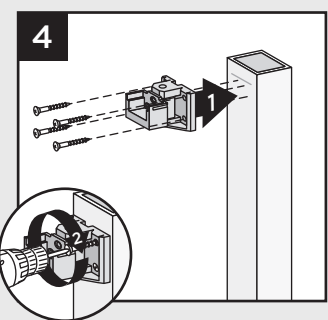
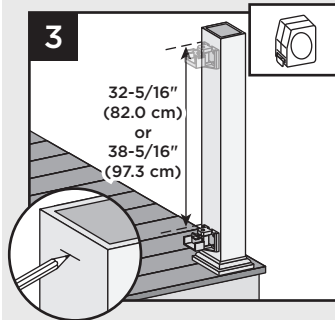
NOTE: Upper bracket is not required on crossover post configuration.

Attach Swivel Brackets Using Pressure-treated Posts and Post Sleeves

TIP: Use a clamp to help hold brackets in place while fastening with screws



1. Measure 1-7/8" (4.8 cm) up from deck surface to bottom of bracket. Slide skirt up to allow for proper measurement, then push skirt back down onto surface of decking **BEFORE ATTACHING BRACKET**. Mark with light line.
2. Center lower bracket on post **above** the marked line and attach using four 2" (5.1 cm) wood screws (*provided*).

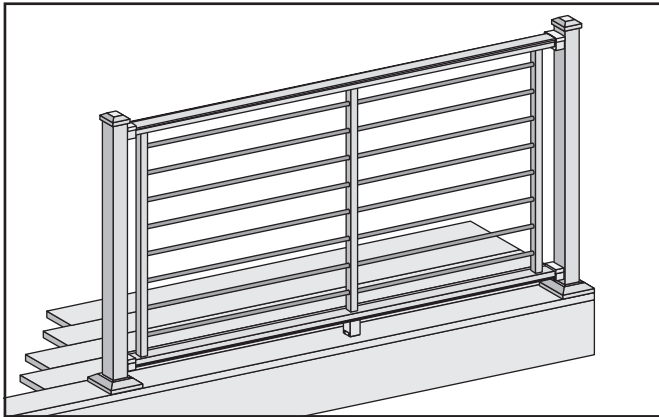


3. Measure up 32-5/16" (82.0 cm) for 36" (91.4 cm) tall railing or 38-5/16" (97.3 cm) for 42" (106.7 cm) tall railing from top of lower rail bracket. Mark with a light line.
4. Center upper bracket on post **below** marked line and attach using four 2" (5.1 cm) wood screws (*provided*).

TREX® ROD RAIL HORIZONTAL RAILING

Installation Instructions

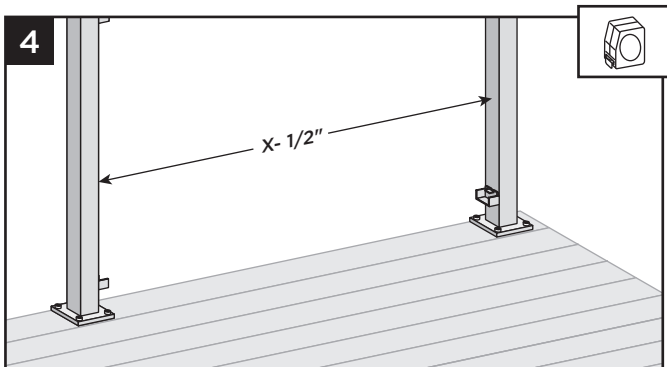
HOW TO INSTALL ROD RAIL STANDARD RAILING TREX SIGNATURE®



1. Prepare a solid work surface area (plywood, deck surface, etc.).

How to Measure Bottom and Top Railings (When Required)

2. **For Full Span Post to Post Applications** - only top rail will need to be cut.
3. **For Full Span Crossover to Crossover post Applications** - no rails have to be cut, HOWEVER the location of the HZ Template on the top rail will need to be adjusted in 3/4" on each side of top rail to allow for proper placement of vertical supports.



4. Measure distance between posts (X), and subtract 1/2" for bracket clearance.

If installing crossover post configurations adjust top rail length: $X + 3/4"$ if using one crossover post, or $X + 1-1/2"$ if using two crossover posts.

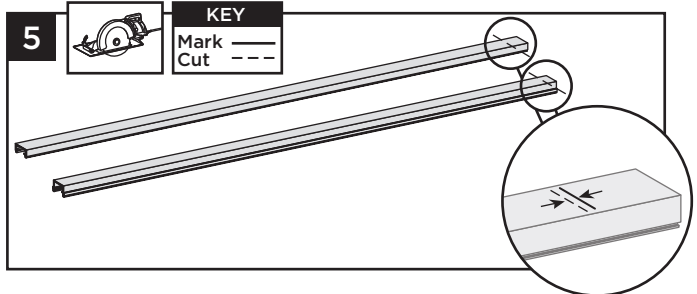
If using swivel brackets, measure distance between brackets and cut railings to this distance.

6

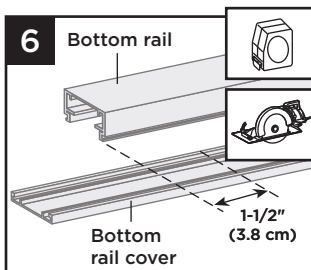
Have Questions?
1-800-BUY-TREX

NOTE: Construction methods are always improving. Please ensure you have the most up-to-date installation instructions by visiting: trex.com

Cutting Railings and Covers

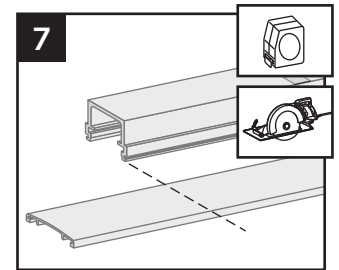


5. Cut both bottom and top rail to length as determined above.



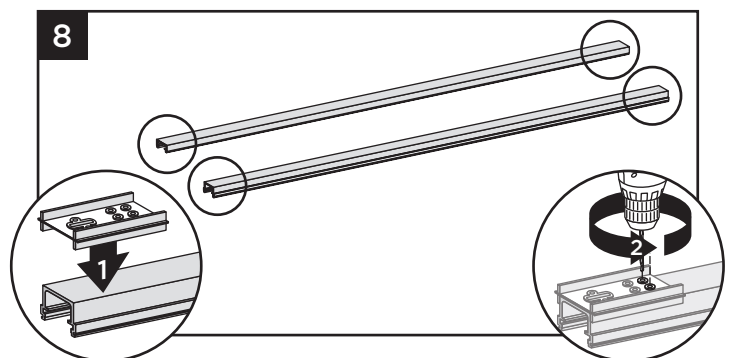
6. Mark and cut bottom rail cover 1-1/2" (3.8 cm) shorter than bottom rail.

NOTE: If using the tabless bracket cutting bottom rail cover is not required.



7. Mark and cut top rail cover same length as top rail for all top rail configurations.

Locating Vertical Holes on Bottom and Top Rails



8. Place HZ template at end of top and bottom rails. Pre-drill pilot holes (using a 7/64" bit or small punch) at locations.

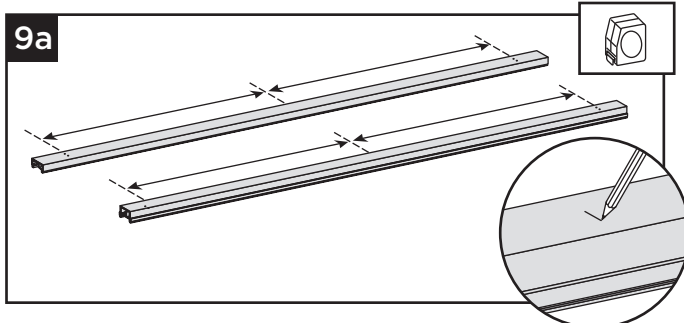
NOTES:

- » Template is labeled for the type of bracket used.
- » Pilot holes will be drilled out larger in a later step.
- » For Compound Swivel Brackets, set the rail in the bracket and mark 3.75" from the post.

TRRRH-0121

HOW TO INSTALL ROD RAIL STANDARD RAILING/CONTINUED TREX SIGNATURE®

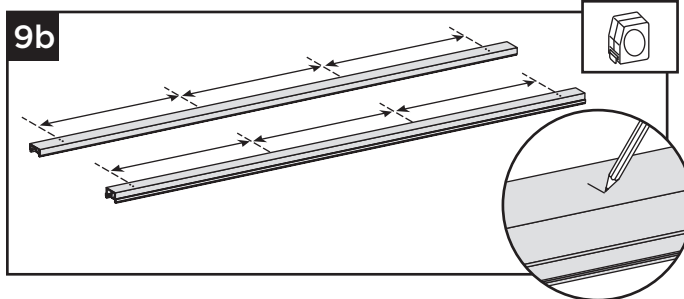
6' Rail Spans or Shorter



9a. Measure the distance between the vertical end holes on **both top and bottom rails**. Mark the center.

IMPORTANT NOTE: DO NOT mark the line across the entire width of the bottom rail, as it will be visible after install. Maximum recommended line width is 1".

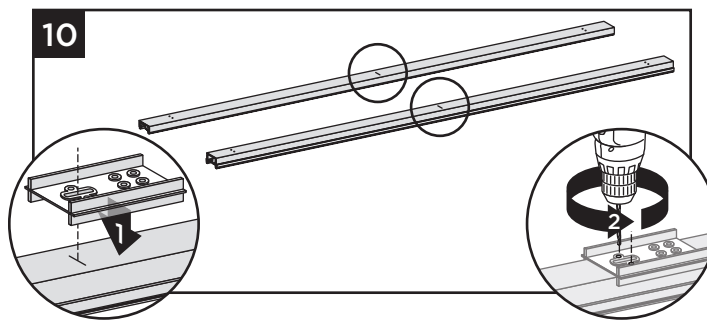
Over 6' Rail Spans



9b. Measure the distance between the vertical end holes on **both top and bottom rails**. Divide the distance into thirds and make two marks on top and bottom rails.

NOTE: Maximum unsupported rod span is 32.25

Locating and Drilling Midspan Holes

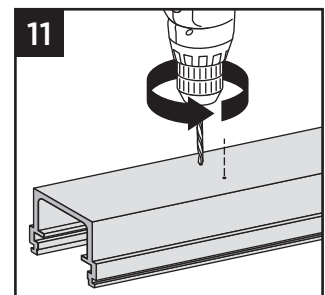


10. Using the slot on the HZ template, locate marked line and drill two 7/64" pilot holes (or mark with a punch).

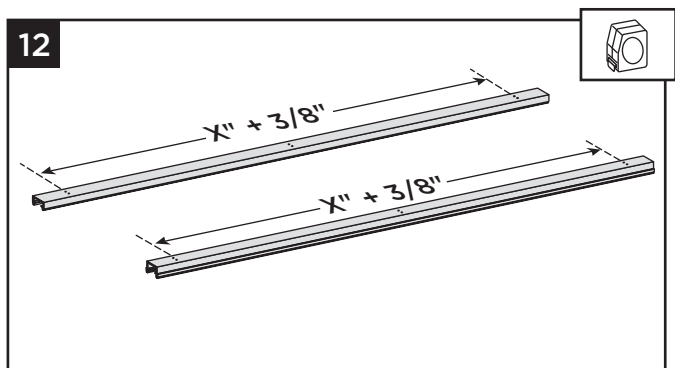
NOTE: Pilot holes will be drilled out larger in next step.

11. Using pilot holes (or marks), drill 1/4" holes for all vertical supports in both top and bottom rails.

NOTE: Clean any burrs from edges of holes to ensure good fit on both sides.

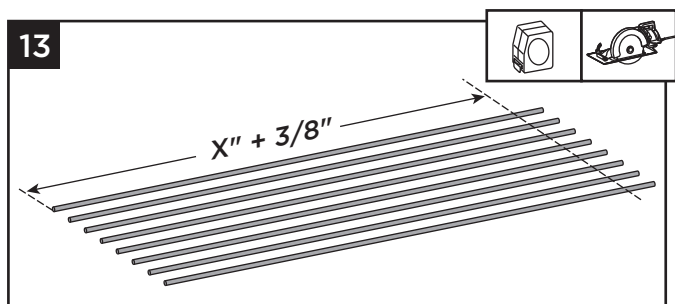


Cutting Rods to Length (When Required)



12. Measure the distance between the end (outer) holes (X") on top or bottom rail and add 3/8" to this measurement.

NOTE: If installed at exact spans, rods do not have to be cut.



13. Cut rods to the length measured in previous step.

TREX® ROD RAIL HORIZONTAL RAILING

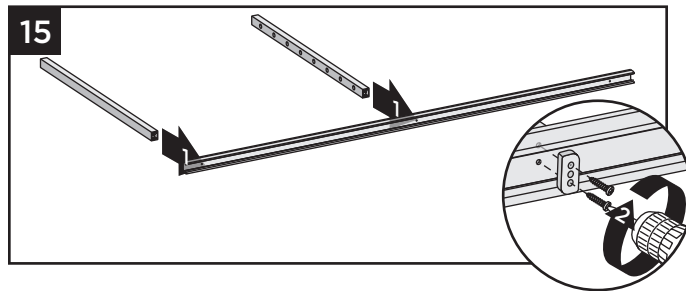
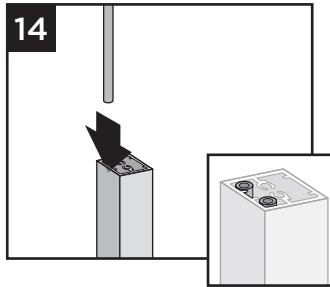
Installation Instructions

HOW TO INSTALL ROD RAIL STANDARD RAILING/CONTINUED TREX SIGNATURE

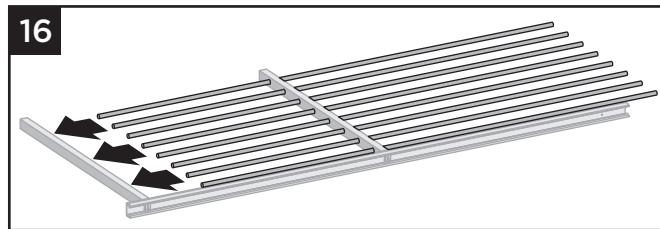
Vertical and Rod Assembly

14. Insert anti-rattle strips into the vertical supports.

NOTE: There are two anti-rattle strips for each support which can only be inserted in one side.

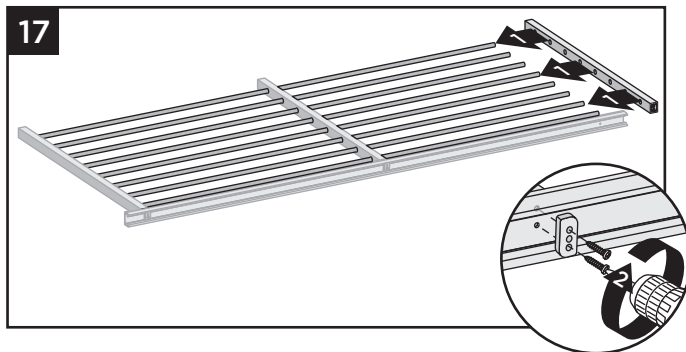


15. Attach **one** end vertical and **all** intermediate verticals to bottom rail using HZ spacer and screws provided.



16. Slide all rods through intermediate supports and into end vertical support.

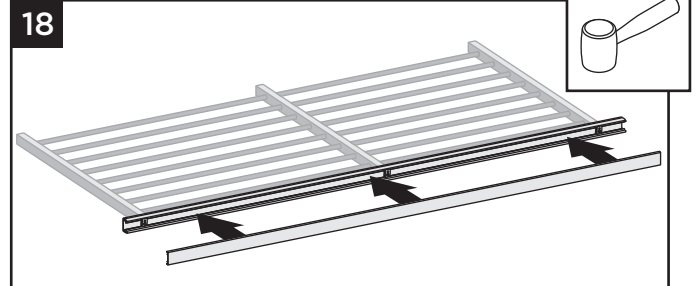
NOTE: When inserting rods through intermediate supports, keep rods straight to avoid scratching



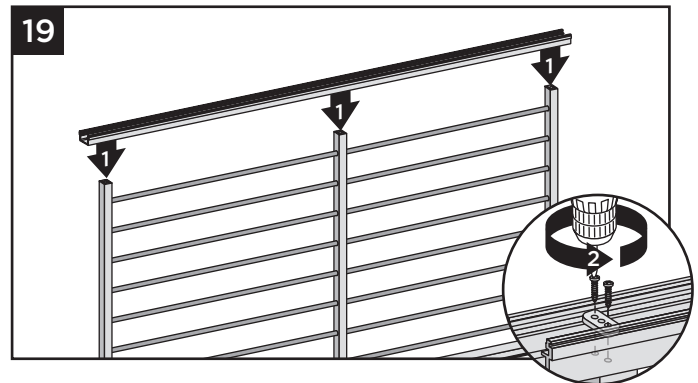
17. Slide end vertical onto rods and attach to bottom rail using HZ spacer and screws provided.

8

Installing Bottom Rail Cover and Top Rail to Verticals



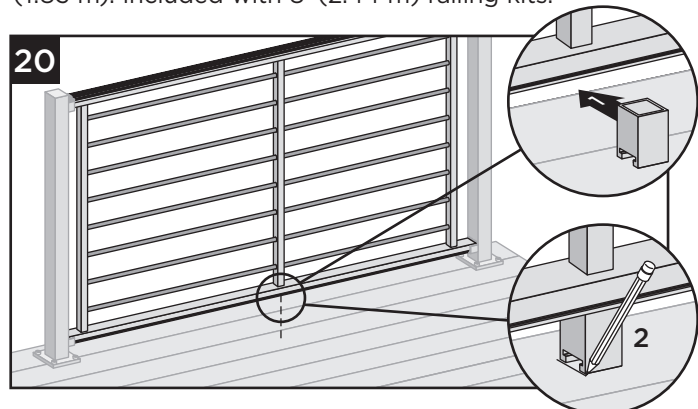
18. Using a mallet, install bottom rail cover onto bottom rail.



19. Install top rail to all vertical and end supports using HZ spacer and screws provided.

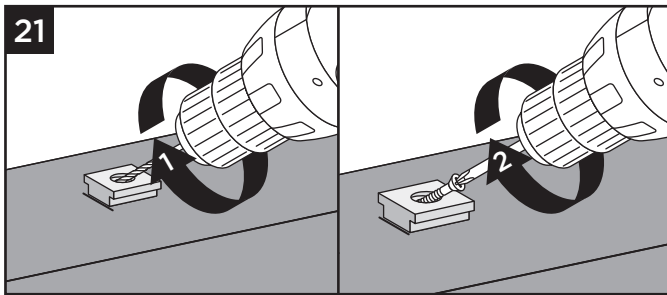
Attaching Foot Block (when required)

Required **ONLY** for All Clear Span Applications over 6' (1.83 m). Included with 8' (2.44 m) railing kits.



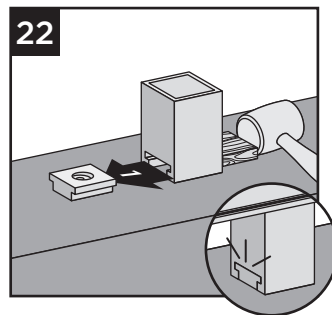
20. Temporarily drop rod rail panel into brackets. To ensure correct location, place foot block under center of bottom panel. Mark to provide placement location of base. Once marked remove panel.

HOW TO INSTALL ROD RAIL STANDARD RAILING/CONTINUED TREX SIGNATURE



20. Temporarily drop rod rail panel into brackets. To ensure correct location, place foot block under center of bottom panel. Mark to provide placement location of base. Once marked remove panel.
21. Place base (smaller side facing down) on decking surface. Pre-drill using a 3/16" bit. Attach base of foot block using one screw at an angle through base and into decking.

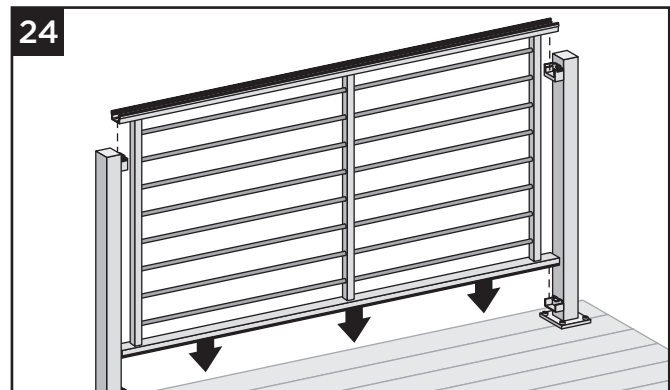
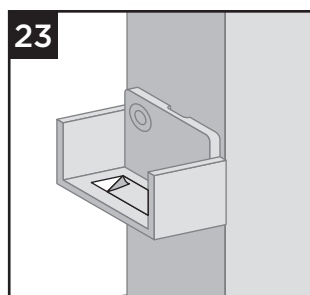
22. After attached, use a rubber mallet along with scrap piece of wood to tap foot block until it locks into place.



When using Tabless Lower Brackets

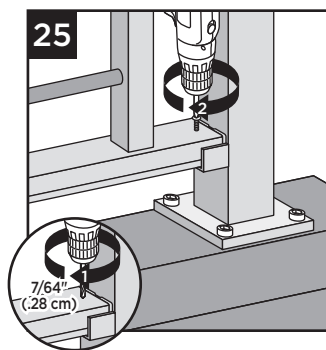
23. Place adhesive strips (provided) into bottom rail brackets.

NOTE: Make sure surface is clean and dry.

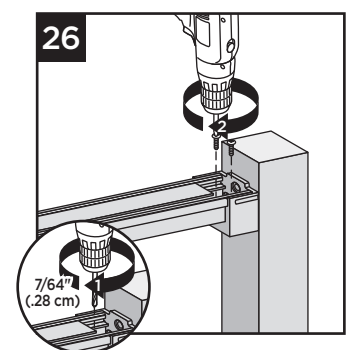


24. Drop assembled rod rail panel into brackets.

Attaching Panel to Brackets



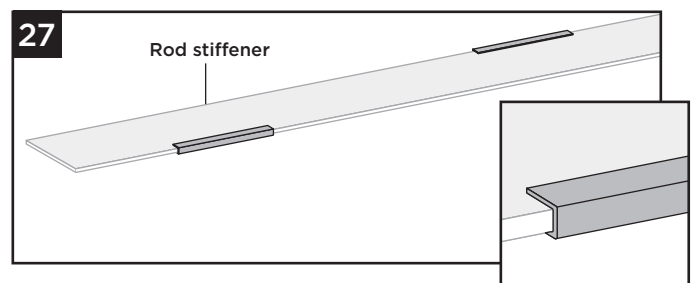
25. If using tabbed lower brackets, attach bottom rail to bottom brackets by using one self-tapping screw (provided) for each bracket. No screws are required if using the tabless lower bracket.



26. Attach top rail to top brackets by using two self-tapping screws (provided) for each bracket.

NOTE: Pre-drilling is required (7/64" [0.28 cm] drill bit) for attachment of railing to bracket.

Inserting Rod Rail Stiffener - For Rail Sections Over 6'

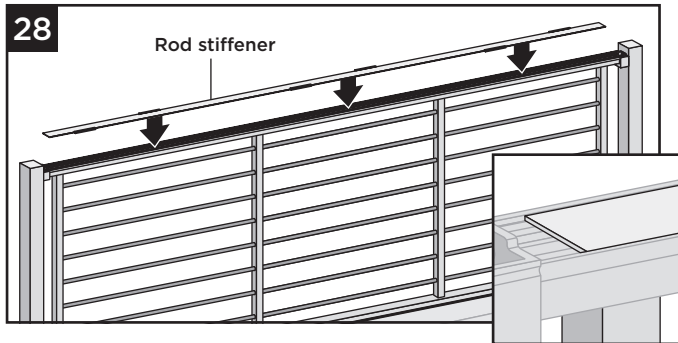


27. Attach tape (qty 6 provided) to alternating sides of the rod stiffener as shown.

TREX® ROD RAIL HORIZONTAL RAILING

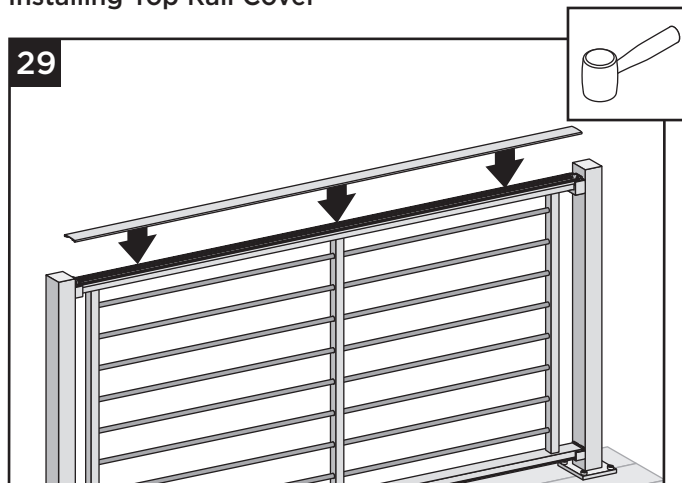
Installation Instructions

HOW TO INSTALL ROD RAIL STANDARD RAILING/CONTINUED TREX SIGNATURE®



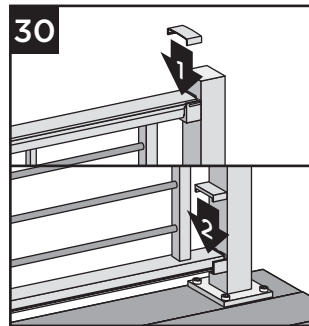
28. Place rod stiffener inside rail channel.

Installing Top Rail Cover

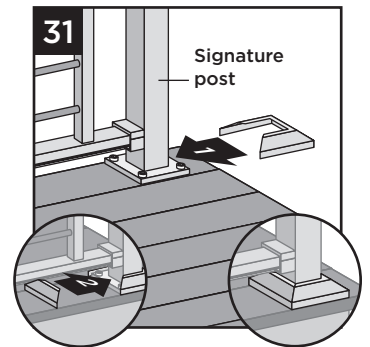


29. Using a mallet, install top rail cover.

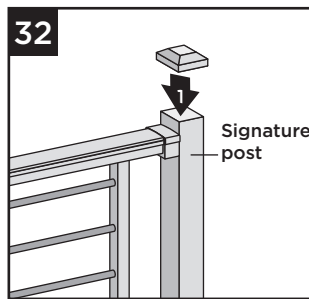
Attachment of Bracket Covers, Skirts, and Caps



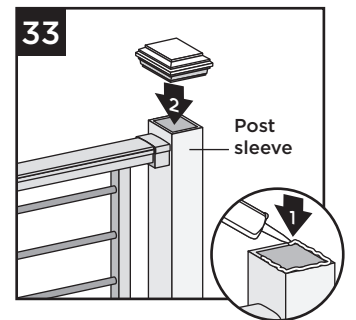
30. Attach corresponding bracket covers over opening in top and bottom rails.



31. Attach provided post skirt to bottom of posts when using Trex Signature posts.

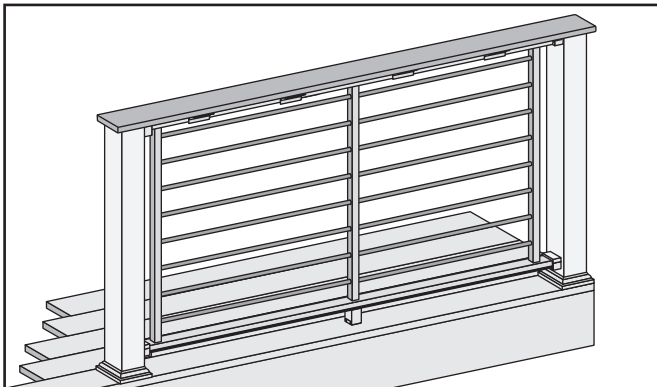


32. Attach post caps to Trex Signature posts. (Use of **rubber mallet** may be required for secure attachment.)



33. Attach post caps to post sleeves using external grade PVC construction adhesive.

HOW TO INSTALL ROD RAIL COCKTAIL RAILING TREX SIGNATURE®



IMPORTANT NOTE:

» **ONLY** for use with pressure treated 4 x 4 post (3.5" nominal square) and 4" x 4" (102 mm x 102 mm) post sleeve. Trex® Signature™ posts, Trex post mounts or joist mount posts cannot be used with Trex® Rod Rail Cocktail railing. Cutting post and post sleeve **ONLY** applies to the Cocktail style railing.

10

Have Questions?
1-800-BUY-TREX

*NOTE: Construction methods are always improving. Please ensure you have the most up-to-date installation instructions by visiting: **trex.com***

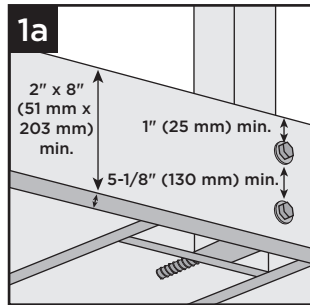
TRRRH-0121

HOW TO INSTALL ROD RAIL COCKTAIL RAILING/CONTINUED TREX SIGNATURE®

Installing Pressure-treated Posts, Post Sleeves, and Skirts to Use with Rod Rail Cocktail Railing

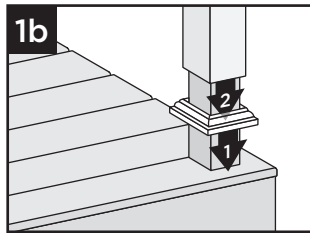
NOTE: PLEASE REFER TO LOCAL BUILDING CODE REQUIREMENTS PRIOR TO ATTACHING PRESSURE TREATED POSTS. BELOW INSTRUCTIONS ARE GUIDELINES FOR GENERAL REQUIREMENTS.

- 1a. Attach posts using 1/2" (13 mm) carriage bolts.
 - » Minimum joist size is 2" x 8" (51 mm x 203 mm).
 - » Top bolts must be 1" (25 mm) from top of joists.
 - » Bottom bolts must be 5-1/8" (130 mm) from top bolts.



NOTE: Blocking can be added for extra strength.

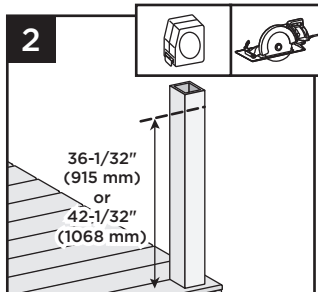
- 1b. Slide post sleeve skirt over post and down to rest on decking surface. Slide post sleeve over post and position inside post sleeve skirt.



NOTE: Shims can be used to plumb post sleeves.

Cutting Post and Post Sleeve

2. Mark and cut post and post sleeve measuring from deck surface:
 - » 36-1/32" (915 mm) for 36" (914 mm) height.
 - » 42-1/32" (1068 mm) for 42" (1067 mm) height.



3. **Measuring and Cutting Rails and Covers**
See instructions on page 6.

4. **Locating Vertical Holes on Bottom and Top Rails**
See instructions on page 6.

5. **Locating and Drilling Midspan Holes**
See instructions on page 7.

6. **Cutting Rods to Length (when required)**
See instructions on page 7.

7. **Vertical and Rod Assembly**
See instructions on page 8.

8. **Installing Bottom Rail Cover and Top Rail to Verticals**

See instructions on page 8.

9. **Installing Foot Blocks (when required)**
See instructions on page 8.

10. **Installing Railing to Brackets**
See instructions on page 9.

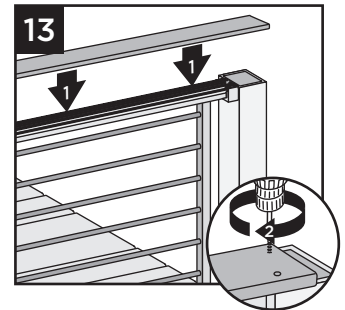
11. **Installing Rod Rail Stiffener (when required)**
See instructions on page 9.

12. **Installing Top Rail Cover**
See instructions on page 10.

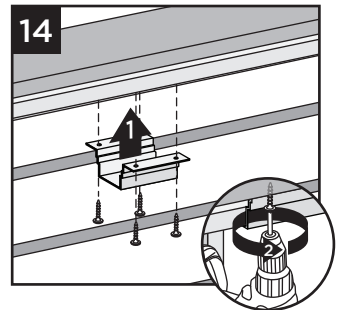
NOTE: Top Bracket Covers are not attached in this configuration.

Attaching Deck Board to Top Rail

13. Place deck boards (**DO NOT** use Enhance deck boards for top rail) over top rails. Attach boards on each post with Trex-recommended composite screws (quantity of 2 per each post/board end).

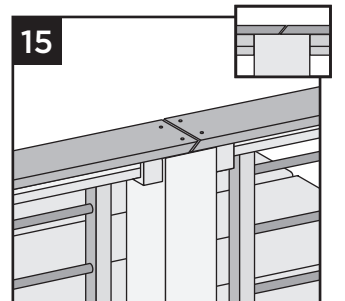


14. Secure boards to top rail using Trex Signature Cocktail Bracket (sold separately). Ensure that there is a bracket at each end of the railing section, then space brackets approximately every 24" and attach with 4 screws provided.



NOTE: Pre-drilling before attachment is recommended.

15. Use scarf cut for posts where two deck boards meet.



NOTES:

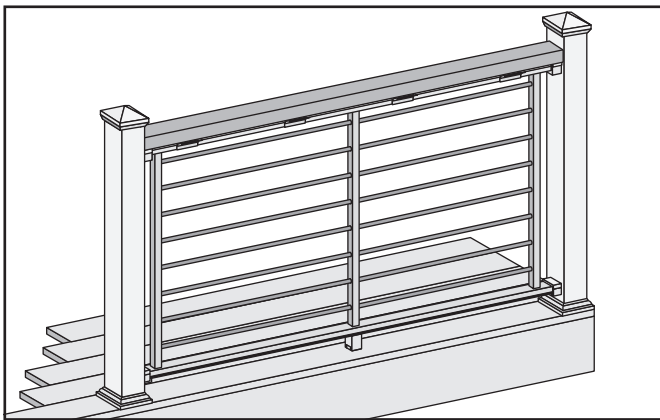
- » Leave 1/8" (3 mm) gap between deck boards.
- » Deck boards can overhang end of last post maximum 1/2" (13 mm).

16. **Attachment of Bottom Bracket Covers**
See instructions on page 10.

TREX® ROD RAIL HORIZONTAL RAILING

Installation Instructions

HOW TO INSTALL ROD RAIL TRADITIONAL RAILING TREX SIGNATURE®



Important: Only use with Pressure-treated post, Trex Post Mounts or Trex Joist Mount Post WITH Trex post sleeves. Trex Signature Posts and Joist Mount Posts cannot be used with Rod Rail Traditional.

1. Installing Posts, Post Sleeve Skirts and Post Sleeves

See instructions on page 11 for pressure treated posts. Refer to detailed Trex Post Mount instructions if using these. Post and Post Sleeves are **NOT CUT** in this installation.

2. Measuring and Cutting Rails and Covers

See instructions on page 6.

3. Locating Vertical Holes on Bottom and Top Rails

See instructions on page 6.

4. Locating and Drilling Midspan Holes

See instructions on page 7.

5. Cutting Rods to Length (when required)

See instructions on page 7.

6. Vertical and Rod Assembly

See instructions on page 8.

7. Installing Bottom Rail Cover and Top Rail to Verticals

See instructions on page 8.

8. Installing Foot Blocks (when required)

See instructions on page 8.

9. Installing Railing Panel to Brackets

See instructions on page 9.

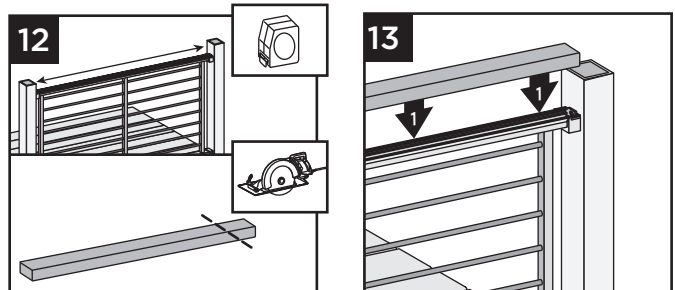
10. Installing Rod Rail Stiffener (when required)

See instructions on page 9.

11. Installing Top Rail Cover

See instructions on page 10.

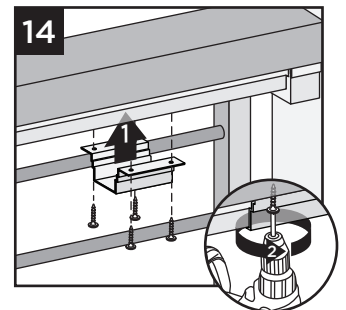
Attaching 2 x 4 to Top Rail



12. Measure between posts and cut 2 x 4 to length.

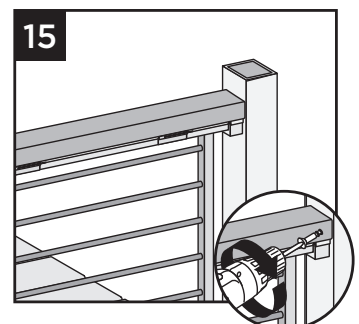
13. Place 2 x 4 on Trex® Signature top rail.

14. Secure 2 x 4 to top rail using Trex® Signature Cocktail Bracket (sold separately). Ensure that there is a bracket at each end of the railing section, then space brackets approximately every 24" and attach with 4 screws provided.



NOTE: Pre-drilling before attachment is recommended.

15. Pre-drill and toenail 2-1/2" (6.4 cm) approved deck screw at each end of 2 x 4 into post on back side of rail (side not facing decking).



16. Attachment of Bottom Rail Bracket Covers and Caps

See instructions on page 10.

12