

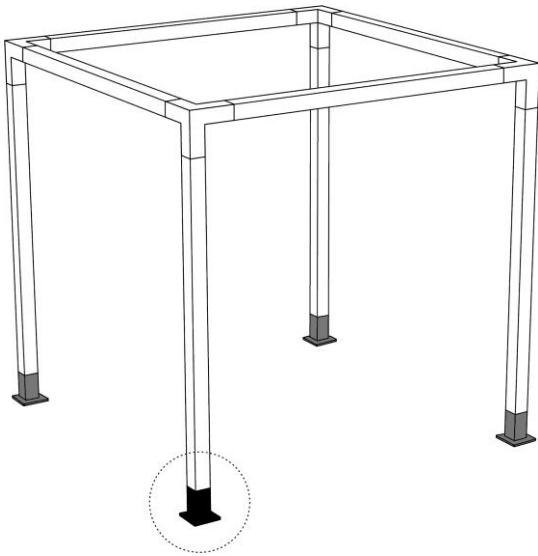


LINX™

SIMPLIFIED PERGOLA SYSTEM

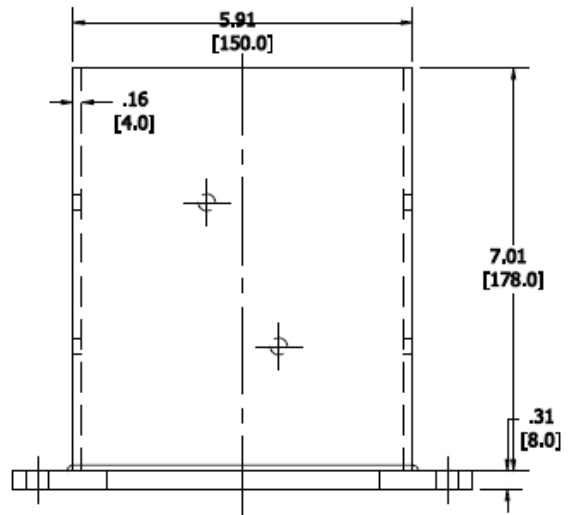
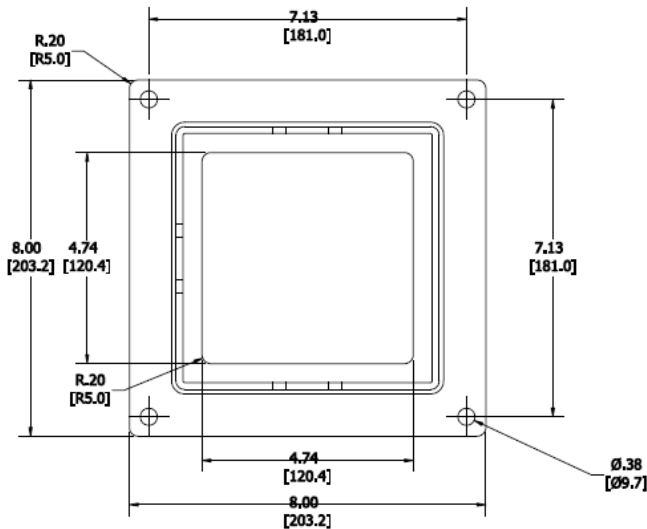


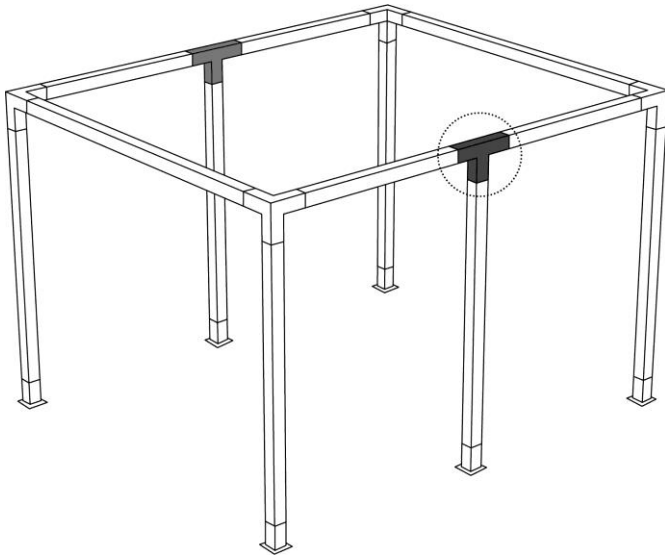
6x6 SPECIFICATION SHEETS



SPECIFICATIONS

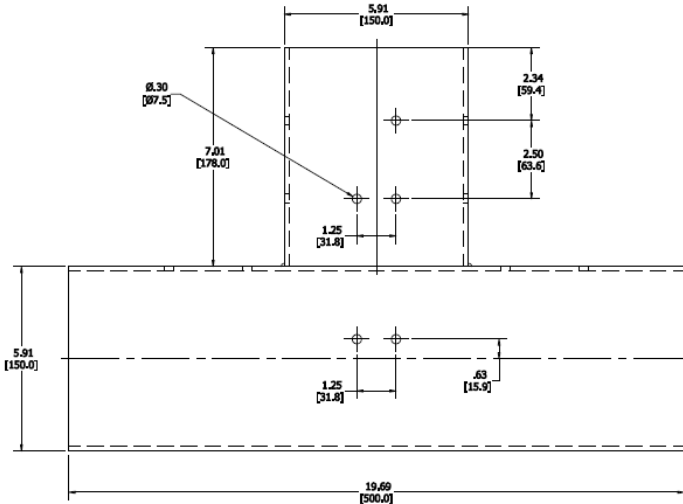
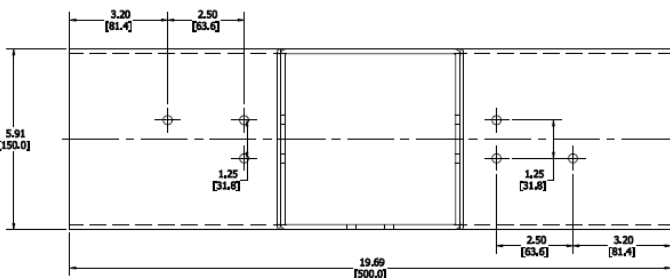
- Box LxWxH - 8.9" x 8.9" x 8.1"
- Box Weight – 11.9 Lbs
- SKU - 3051930
- UPC - 097523051930
- Full Pallet - 100 pcs
- Opening Order Pallet - 16 pcs
- Tube - 5.6" x 5.6" x 4.0mm
- Fastener - ¼" x 1.5" lag screw

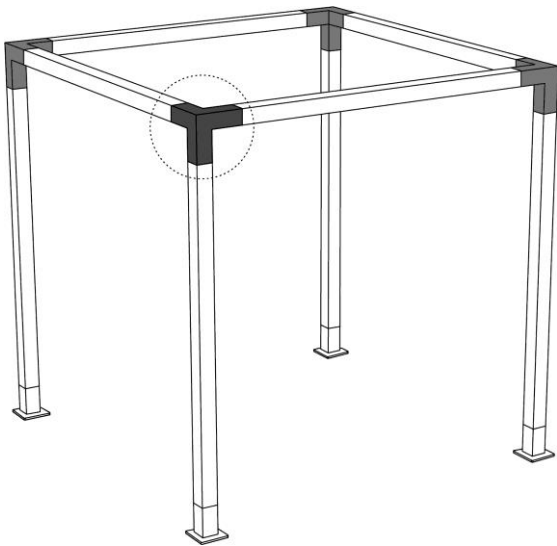




SPECIFICATIONS

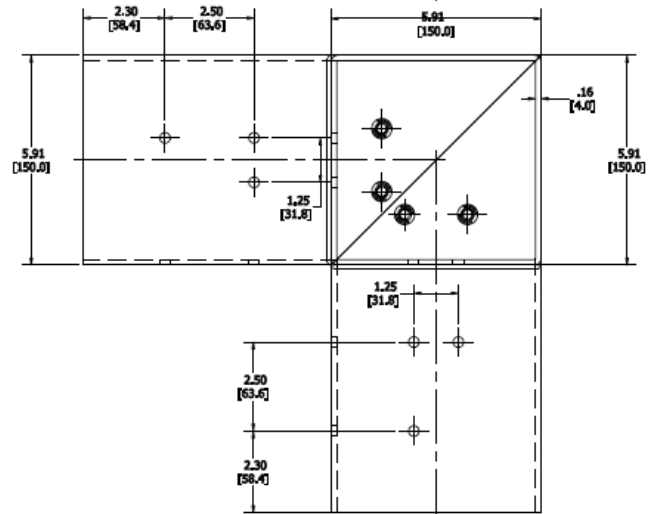
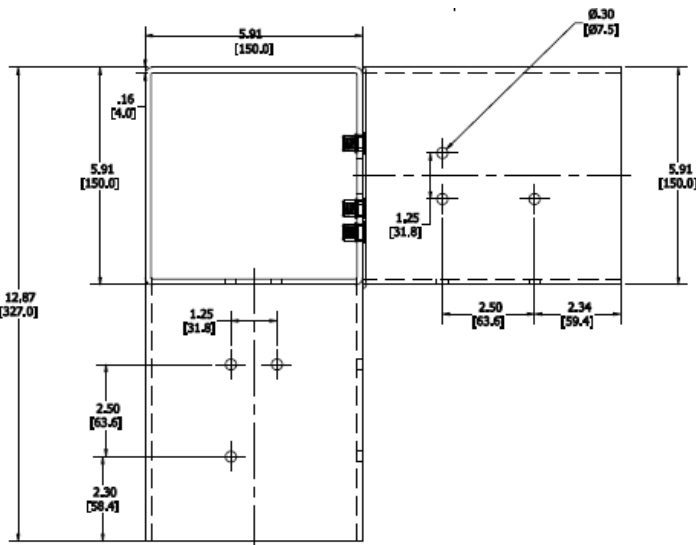
- Box LxWxH– 20.7” x 6.9” x 14”
- Box Weight – 28.2 Lbs
- SKU - 3051947
- UPC - 097523051947
- Full Pallet - 30 pcs
- Opening Order Pallet - 2 pcs
- Tube - 5.6” x 5.6” x 4.0mm
- Fastener - ¼” x 1.5” lag screw

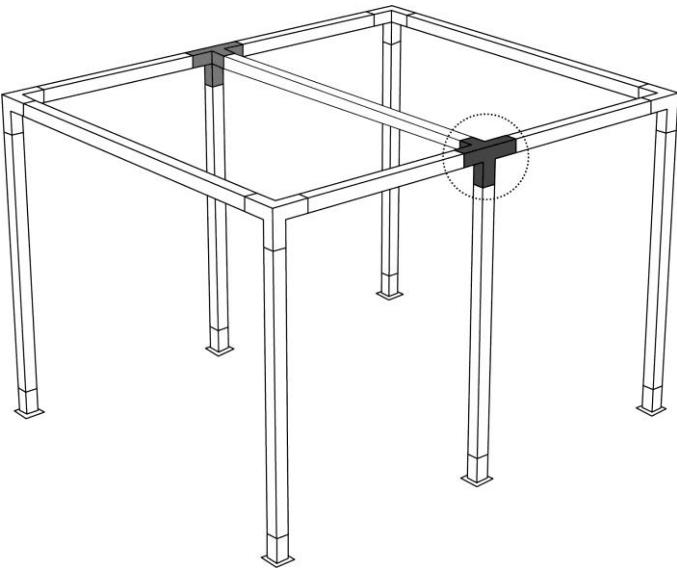




SPECIFICATIONS

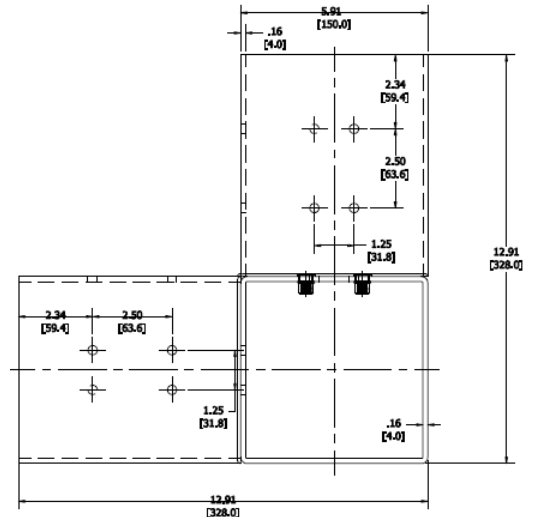
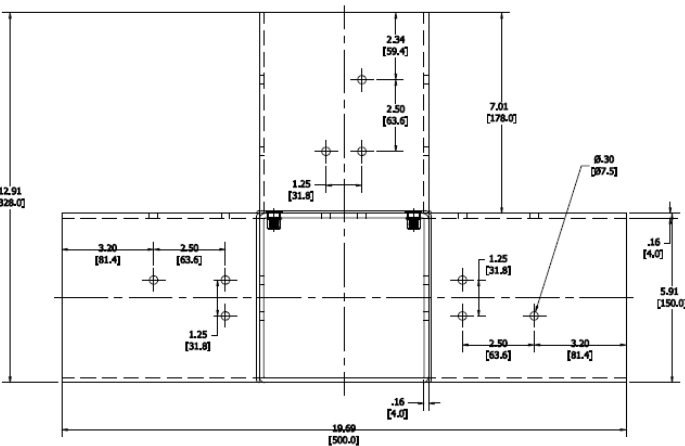
- Box LxWxH - 14" x 14" x 14"
- Box Weight – 28.4 Lbs
- SKU - 3051954
- UPC - 097523051954
- Full Pallet - 27 pcs
- Opening Order Pallet - 16 pcs
- Tube - 5.6" x 5.6" x 4.0mm
- Fastener - ¼" x 1.5" lag screw

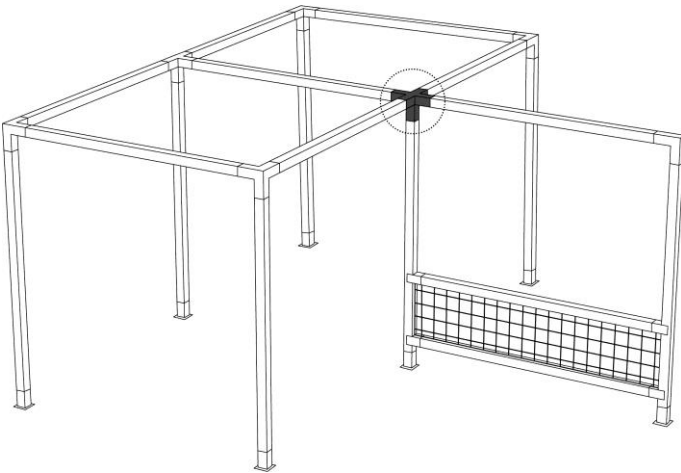




SPECIFICATIONS

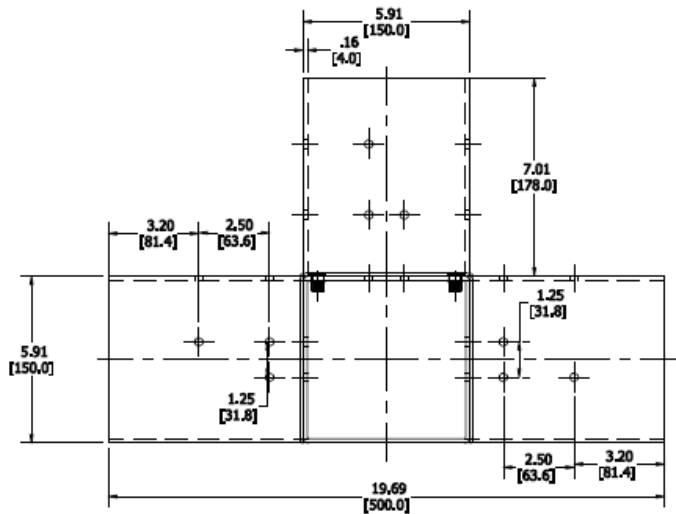
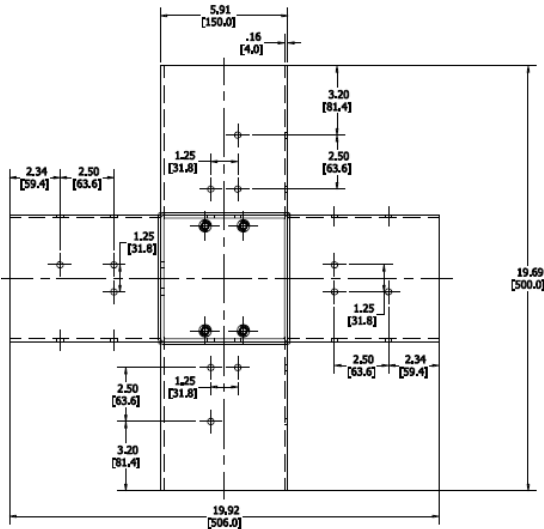
- Box LxWxH – 20.7” x 14” x 14”
- Box Weight – 35.3 Lbs
- SKU - 3051961
- UPC - 097523051961
- Full Pallet - 15 pcs
- Opening Order Pallet - 2 pcs
- Tube - 5.6” x 5.6” x 4.0mm
- Fastener - ¼” x 1.5” lag screw





SPECIFICATIONS

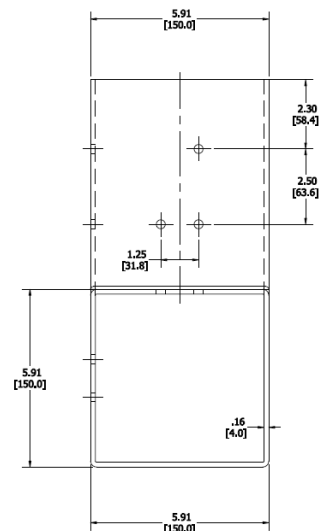
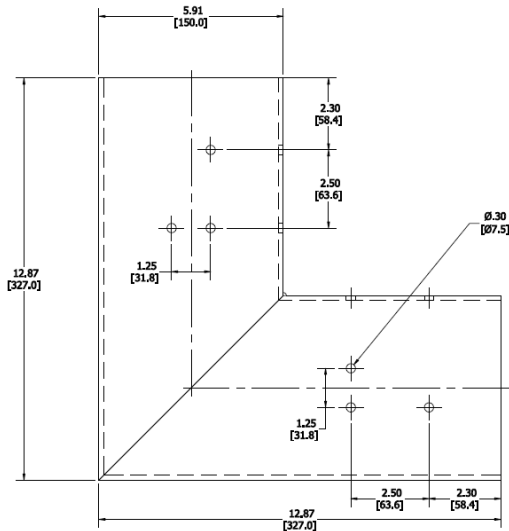
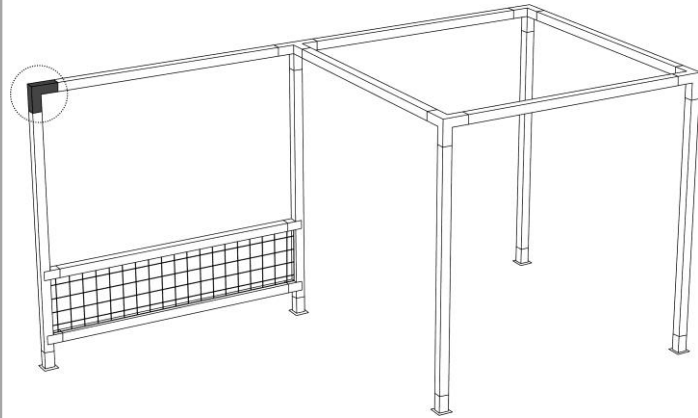
- Box LxWxH – 21” x 21” x 14”
- Box Weight – 42.3 Lbs
- SKU - 3051978
- UPC - 097523051978
- Full Pallet - 12 pcs
- Opening Order Pallet - 2 pcs
- Tube - 5.6” x 5.6” x 4.0mm
- Fastener - ¼” x 1.5” lag screw

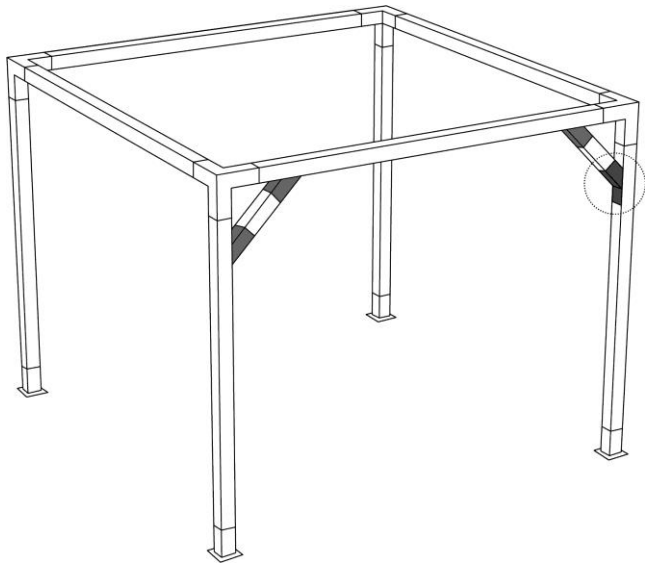




SPECIFICATIONS

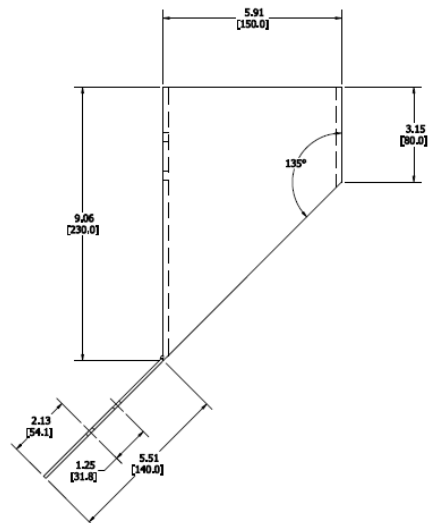
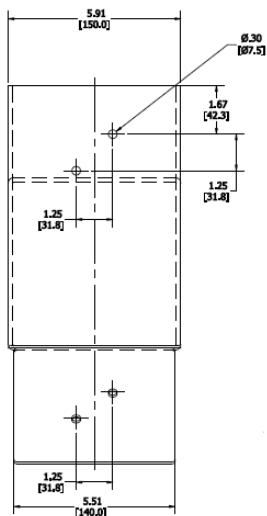
- Box LxWxH – 14” x 6.9” x 14”
- Box Weight – 21.3 Lbs
- SKU - 3052081
- UPC - 097523052081
- Full Pallet - 54 pcs
- Opening Order Pallet - 2 pcs
- Tube - 5.6” x 5.6” x 4.0mm
- Fastener - ¼” x 1.5” lag screw

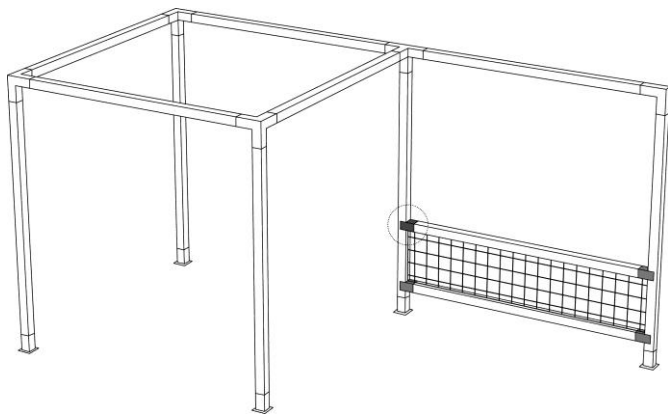




SPECIFICATIONS – 2 Pack Box

- Box LxWxH – 12" x 6" x 4.5"
- Box Weight – 15.2 Lbs
- SKU – 3051985
- UPC - 097523051985
- Full Pallet - 84 boxes
- Opening Order Pallet - 4 boxes
- Tube - 5.6" x 5.6" x 4.0mm
- Fastener - ¼" x 1.5" lag screw





SPECIFICATIONS – 2 Pack Box

- Box LxWxH – 8.5” x 7.3” x 7.1”
- Box Weight – 11.4 Lbs
- SKU – 3051992
- UPC - 097523051992
- Full Pallet - 180 boxes
- Opening Order Pallet - 4 boxes
- Tube - 5.6” x 5.6” x 4.0mm
- Fastener - ¼” x 1.5” lag screw

